



### NORTHWEST Wakefield

By Mrs. Wallace Ring Wakefield, Atlas 7-2872

Mr. and Mrs. Maurice Olson and children were Sunday afternoon guests at Kenneth Packard's.

Sunday Mr. and Mrs. Gene Packard and Pamela were dinner guests in the Duane Kunzman home, Laurel.

Sunday evening Mr. and Mrs. Thure Johnson and Mrs. Axel Erickson and Clifford joined the group helping Winton Wallin observe his birthday.

Mr. and Mrs. Paul Dahlgren entertained at supper Wednesday. Mr. and Mrs. Joe C. Johnson and Art Felt and Myron, Great Falls, Mont.

Mr. and Mrs. Art Meyers were in Laurel to attend funeral services for John Erace Wednesday afternoon. Sunday evening they were in Laurel again to attend Mrs. Clifford Loeb's birthday party.

Mr. and Mrs. Otto Saul and Mrs. Fred Roebber spent Friday evening in the Harry Brails home.

Mr. and Mrs. Lawrence Blattner and children and Donna Wilson spent Sunday evening in the Clarence Wolter home.

Mr. and Mrs. Irvin Bartels, Gene and Verma Mae and Mrs. Harry Bartels and Marilyn Ann were Sunday supper guests in the Gerald Becker home.

Mr. and Mrs. Leo Smith were Monday evening visitors at Clarence Wolters.

Mr. and Mrs. Clarence Utemark and Joan were Sunday afternoon visitors at Lloyd Roebber's.

Mr. and Mrs. Victor Sundell and Eunice, Dixon, were Sunday afternoon and supper guests at Joe Erickson's.

Mr. and Mrs. Clarence Starzl and children and Mr. and Mrs. Onville Zeisler, Emerson, were Monday evening guests at Cal Swagerty's.

Mr. and Mrs. Thure Johnson spent last Monday afternoon in the Levene home.

Wednesday afternoon Mr. and Mrs. Cal Swagerty and Betty visited Herman Long's, Dakota City.

Mr. and Mrs. Irvin Brown entertained at supper Saturday. Mr. and Mrs. Free Libbers led t. Wayne, and Mr. and Mrs. A. G. Schager honoring Phyllis' birthday of Saturday and Mr. Schager's birthday of Sunday.

Mr. and Mrs. Harry Bartels and Marilyn Ann were Sunday dinner guests of Mrs. Les Brudigan. In the afternoon they visited in the Lester Korth home. Wisner, for the birthday of the hostess.

Verdel Lund and Gary, Vern Carlson and Merlin Kay were Friday dinner guests at Beh Lund's. The men were moving some of Verdel's equipment preparatory to farming his parents' farm next year.

Mr. and Mrs. Robert Mohan and Jimmy, Sioux City, spent Wednesday at Hjalmer Lund's.

Mr. and Mrs. Art Meyer attended an open house at the new Pender hospital Sunday and Mrs. Mr. and Mrs. Fred Schlines accompanied them.

Mr. and Mrs. Ernest Anderson were Sunday afternoon guests in the Willburt Oak home.

Mr. and Mrs. Marvin Draghu and family were Thursday evening visitors at A. G. Schager's. Mr. and Mrs. Marvin Killion, Neal and Mary Lou were there Sunday evening.

Mr. and Mrs. Lloyd Roebber and sons were Wednesday supper guests at Harry Dellin's.

Mr. and Mrs. George Jensen were Sunday afternoon and supper guests in the Levene home.

Mr. and Mrs. N. P. Christensen were Friday dinner guests in the home of her brother, Frank Nelson, South Sioux City.

Mr. and Mrs. Cleve Murphy, Beldun, were Friday dinner guests at Ernest Packard's.

Mr. and Mrs. Emil Roebber visited Mr. and Mrs. Simon Lessman Friday afternoon.

Mr. and Mrs. Robert Blatchford and Jean attended the wedding of his niece, Shirley Millie, and LeRoy Hansen at Laurel Sunday evening. Jean was a waitress at the reception.

Mrs. Adolph Berg and Warren, Sioux City, were dinner and supper guests in the Mrs. Joel Dahlgren home Tuesday. They came to attend funeral services for Mrs. Oscar Swanson.

Cal Swagerty spent Friday evening at Ivan Nixon's. Kermit Turners were there Sunday evening.

Mrs. Al Johnson, Clarice and Marian, Fond du Lac, were weekend guests of her sister, Mrs. Joel Dahlgren. Marian attends Luther college; Wahod, Mrs. Dahlgren accompanied Mrs. Johnson and Clarice to Sioux City to spend Sunday evening with relatives.

The Leo Schulz and Ivan Nixon families spent Saturday evening at Cal Swagerty's.

The Leo Schulz family visited her grandmother, Mrs. Lena Bennington, Sunday.

A group of relatives and friends spent Wednesday evening with Mr. and Mrs. Leo Schulz for their eighth wedding anniversary. Cooperative lunch was served.

Ivan Nixon spent Thursday evening at Theon Culton's.

Mr. and Mrs. G. H. Schmier and granddaughter and Mr. and Mrs. Glenn Coates and sons, Bancroft, were Sunday dinner guests at Ivan Nixon's.

Mrs. Ben Lund spent Saturday afternoon with Pauline Hlyse.

The Lloyd Roebber family spent Saturday evening in the Fred Roebber home, Wayne.

Mrs. Emil Miller and Elton attended funeral services for her cousin, Mrs. Martha Shaw, Lyons, Wednesday afternoon.

Mr. and Mrs. Robert F. Hanson, Sioux City, were Thursday evening guests in the Emil Miller home.

Mrs. Emil Miller went to Lexington Saturday to spend the weekend in the Paul Geddes home.

**Story Hours Underway For Wayne Children**

Children's story hours have been started at the Wayne library. It was announced this week by Mrs. F. A. Milneer. Pre-school children attend at 3 p.m. Thursdays while school-age children attend at the same time Saturdays.

### Courthouse Roundup

**District Court**  
Jan. 7: Leonard Roberts, Wayne, vs. Donald Ahlman, Foster; auto damage suit appealed from County Court decision.

**County Court**  
Jan. 9: Gerhard W. Pinn, Norfolk, fined \$146 and \$4 costs for speeding and driving under the influence of alcoholic liquor. Defendant sentenced to 30 days in jail on each count in lieu of fine and driver's license suspended for six months. Complaint signed by Virgil J. Kaminski.

**Deeds Filed**  
Jan. 4: Amanda Dimmel & husband to Elmer & Julia Koll; lots 4, 5 & 6, blk 6, Dressler & Patterson's 2nd add, Winside, for \$4,500.  
Jan. 5: Mrs. Nora Marten & husband to Donald & Lois Anderson; lots 7, 8, 9 & 10, blk 7, Hoskins for \$1,400.  
Jan. 7: Elnor Cook & wife to Joe F. Pinkelmann; lot 16, blk 8, Carroll, for \$6,000.  
Jan. 9: Frieda E. & Carl V. Spiecker to Lester Bartels; 1/3 int. in NE 1/4, sec. 26-27-2 for \$1 (55c in revenue stamps).  
Jan. 9: Frieda E. & Carl V. Spiecker to Lester & Russell W. Bartels; 1/3 int. in W 1/2 NE 1/4 and NW 1/4, sec. 24-27-2 for \$1 (\$1.20 in revenue stamps).

### BIRTHS

Dec. 19: Mr. and Mrs. Howard Sala, Denver, a son, 9 lbs., 13 oz., Denver hospital.

Jan. 3: Mr. and Mrs. Richard Sala, Ottawa, Kan., a son, 8 lbs., 7 oz., Ottawa hospital.

Jan. 4: Mr. and Mrs. Harold Oberg, Wakefield, a daughter, 6 lbs., 13 oz., Wakefield hospital.

Jan. 4: Mr. and Mrs. Leonard Sloan, Omaha, a son, 8 lbs., 5 oz. Mr. and Mrs. Walter Sloan, Carroll, are grandparents.

Mr. and Mrs. Lloyd Russell have adopted brothers, Kirk Donald, 3, and Kit Edgar, 2. Grandparents are Mr. and Mrs. Melvin Russell and Mr. and Mrs. Donald Milliken.

Jan. 7: Mr. and Mrs. Homer Biermann, a daughter, Julie Ann, 6 lbs., 2 ozs., Benthaek hospital.

Jan. 7: Mr. and Mrs. Bruce Otto, Norfolk, a son, 10 lbs., 10 1/2 ozs., Norfolk hospital. Mrs. Otto is the daughter of Mr. and Mrs. Hans Carstens, Winside.

Jan. 7: Mr. and Mrs. Edwin Fahrholz, Allen, a daughter, 6 lbs., 5 ozs., Wakefield hospital.

Jan. 8: Mr. and Mrs. Armin Urtwiler, Wayne, a son, 6 lbs., 10 1/2 ozs., Benthaek hospital.

Jan. 9: Mr. and Mrs. Don Frink Winside, a son, 8 lbs., 2 ozs., Wakefield hospital.

Jan. 10: Mr. and Mrs. Ivan Jensen, Wayne, a son, 7 lbs., 5 ozs., Wakefield hospital.

Jan. 10: Pfc. and Mrs. James Thomas, Tacoma, Wash., a daughter, Joan Elizabeth, 7 lbs., 8 ozs., at Madigan Army hospital. Ft. Lewis Mrs. Thomas is the former Ethel Lamb.

### Funeral Services Held for Mrs. David Collier

Funeral services were held for Mrs. David Collier, 79, at Arcadia Methodist church, Arcadia.

Mrs. Collier was born Mar. 16, 1876 at Waukau, Wis. In 1897 she married David Collier at Broken Bow. She made her home with her brother-in-law and sister, Rev. and Mrs. J. Bruce Wylie, Winside, for several years. She died in a Loup City hospital Dec. 27. Mrs. Collier was a member of the Methodist church and Rebekah lodge at Weaverville.

Survivors include two sons, Alfred and Alvin, Arcadia; two sisters, Mrs. Wylie, Winside, and nine grandchildren.

Rev. and Mrs. Wylie returned home Friday after attending the funeral.

### Sunday Funeral Service Held for Walter W. Bauer

Funeral services were held Sunday for Walter W. Bauer, 46, Randolph, in Zion Lutheran church, Hoskins.

Rev. Robert McMiller officiated. Pallbearers were Leland Viergutz,

Donald Berner, Albert Meyer, James Tietgen, Gerald Stoltenberg and Ed Broer. Burial was in the Zion church cemetery.

Walter W. Bauer was born Apr. 25, 1909 on a farm south of Randolph, the son of Mr. and Mrs. Leona Bauer. He married Linda Carstens at Zion Lutheran church. They farmed south of Randolph. He had been in poor health over a year and died Thursday at his home.

Survivors include his wife, Linda, a son, Ronald, now serving in the Armed Forces; a daughter; three brothers, Ed and Louis, jr., Randolph, and George, Kearney; five sisters, Mrs. Fred Bierschenck, Mrs. William Kruger and Mrs. James Barstad, Randolph; Mrs. Sam Nissen and Mrs. Howard Buckett, California.

### Those Who Serve... In Our Armed Forces

**Dixon**  
L. R. Parks is stationed in Oklahoma. His address is: Pfc. L. R. Parks, 1500684 USMC, H.S. Co. and Bn. 9th Marines (Re-enl) 3rd Marine Div. (Fwd.) FMF, c/o PPO San Francisco, Calif.

Thomas Park is assistant to a flight surgeon and is stationed near Toul-Rosere, France. His address is: A 3c Thomas C. Park, AF 17439189, 1352 USAF Hospital, APO 83, New York, N.Y.

**Wayne**  
Edward Kurrelmeier, jr., son of Mr. and Mrs. Ed Kurrelmeier, Wakefield, has recently been assigned to the 18th Airborne Regimental Combat team at Ft. Bragg, N.C. for advance military training.

Delvin L. Mikkelsen was home on a 15-day leave for the holidays. His new address is: Pfc. Delvin L. Mikkelsen, US 55524318, 661st Ord. Co., Ft. Sill, Okla.

Gary D. Cleveland has a new address. It is: Sp3 Gary D. Cleveland, US 55004296, A Btry., 659 AAA Bn., Camp Stewart, Ga.

Harlan Hansen, son of Mr. and Mrs. Andrew Hansen, left Monday for the Navy.

Pfc. Mark E. Tietsoot and Pfc. James A. Atkins, Wayne, are scheduled to leave for Germany this month as part of Operation Gyroscope, the Army's unit rotation plan. They are members of the 11th Airborne division, which will replace the 5th Infantry division in Europe.

Tietsoot is a supply clerk in Battery A, 88th Airborne AAA battalion. Atkins is a communications specialist in Battery B of the same unit.

### ERASING THE BLACKBOARD At The Wayne County Schools

**Wayne High ...**

**Kindergarten**  
We have three new pupils: Linda Klueder, who formerly attended rural school, and Judy and Joan Gillespie who came here from Winside. Judy and Joan are identical twins so we are having fun trying to tell them apart. We now have 42 enrolled in the kindergarten.

Measles have begun to take their toll. Ten were absent Thursday and 11 Friday.

Pam McNatt brought birthday treats Friday.

We enjoyed doll day very much.

**First Grade**  
Linda Kay, Nancy Wert, Judy Wehrer, David Jensen and Jimmy Budensiek were absent with measles this week.

The Bluebirds finished their books and are now reading "Fun With Dick and Jane."

Perry Edenberg and Jimmie Murray brought records this week.

We have two new girls in first grade. They are Vicki Hilton and Dianne Klueder.

Douglas Fitzpatrick brought a book for story-time.

**Second Grade**  
Ruth Ann Bauer brought birthday treats for her classmates Wednesday.

Douglas Lane is a new pupil. He previously attended school in Geknyan.

Quite a number of people in second grade have had measles. Several grade pictures were taken in an annual doll day Friday. Each girl brought a favorite doll and each boy brought a favorite toy.

**Third Grade**  
Food is a new unit of study this month. Milk will be given first consideration. The children made charts showing a healthful breakfast. They are learning the seven basic food groups.

New songs were learned in music. The class made a list of all songs about food.

Addition with two-place carrying was the new skill learned in arithmetic last week. A diagnostic test on addition facts showed that most of the class could write the answers in three minutes.

**Fourth Grade**  
Colleen Wendell enrolled in the fourth grade this week.

Robert Levin moved to California Friday.

The doll show Friday afternoon was enjoyed by all.

Linda Preston, Jackie Bergt, Sonia Anderson, Sandra Nelson and Ellen Baker have been absent this week because of illness.

Colleen Wendell, Mary Gray and Mickey Atkins performed experiments in science Friday. These experiments showed that air takes up room.

**Fifth Grade**  
Our spelling contest ended this week with Lynette's team defeating Cynthia's team by three points. New teams will be chosen next week.

Charlene Wendell is a new student in our room.

Connie Levin left our school Friday to return to her home in California.

The class enjoyed the doll and toy show given in the gymnasium Friday.

Bevly Ulrich brought her new doll to show the class.

Nine fifth graders had perfect scores in the 100-word test Friday. They were Wilma Maira, Karen Hurd, Marilyn Nuernberger, Jane Mellor, Kenny Olds, Donna Ech, Conkany, Marlene Johnson, Terry March and Charlene Wendell.

We started using pen and ink in penmanship this week.

**Eighth Grade**  
We collected 750 coffee strips and sent them in.

Bill Witt and Cheryl Johnson tied for first place in the free hand drawing of a Christmas scene. Brad Hickerson, Alana Diamond and Robert Tiedtke tied for second place.

Robert Tiedtke treated our room to ice cream on his birthday.

We enjoyed our Christmas party with the exchange of gifts.

We were happy to have Supt. Willert visit us during our science class last week.

# Don't Take Chances on . . .

# YOUR FARM SALE

IN ONE DAY YOU SELL WHAT YOU HAVE WORKED FOR ALL YOUR LIFE

## USE WAYNE HERALD FARM SALE SERVICE

SERVING NORTHEAST NEBRASKA REACHING 12,000 READERS

### HERE'S WHAT YOU GET ALL IN ONE PACKAGE:

1. FREE Listing in the newspaper's Calendar of Coming Sales — to protect the date you have selected.
2. Your FREE ad bill printed on bright and assorted colors of regular size bill paper.
3. Experienced help in drawing up your farm sale ad; to make it the kind that DRAWS A CROWD.
4. Use of good livestock and purebred pictures in ad and sale bills.
5. With your sale ad in The Wayne Herald you reach more farmers than in any other medium.
6. Combination newspaper plan of sale ad and sale bills tie-up, which makes your advertising complete in one job.
7. Less expense, less driving and time needed in posting; fewer sales bills needed.
8. Your newspaper ad in paper gives farmers opportunity to study your sale list over carefully, in their own homes, and decide on the articles they may wish to buy.
9. If you cannot get in to The Herald office soon, just call NUMBER 130 and we will come to your FARM!

## Need More Living Room?



If your family is growing . . . or you just want more room to stretch . . . and you can't afford a new house . . . you can often locate additional space by surveying your attic or basement.

And it's just the type of remodeling you can do in cold winter months, too! With the bulk of the work inside, you can add the room now.

The cost . . . often is far less than you would imagine. We've lots of experience in figuring costs and we know that finishing attics and basements furnish you much needed living space at a minimum.

Come in for a Free Estimate.

**TIME PAYMENTS For Building • Remodeling • Repairs**

**FULLERTON LUMBER COMPANY**

113 S. Main Dave Theophilus, Mgr. Wayne

## A HOBBY THAT CLICKS!

### Home Photography Pays Off in Fun!



Permanent records of memorable events are always handy to the shutter-bug. Whether he records Auntie's visit or baby's first tooth, he has fun.

**BROWNIE HOLIDAY FLASH CAMERA** Complete with flash unit, films, bulbs **975**

**Argus A-4 35 MM f. 3.5 lens** **3250** **Argus SLIDE PROJECTOR** **4850**

Complete line of film, both color and black and white, accessories and gadgets for the camera fan.

Two Registered Pharmacists to Serve You

## FELBER PHARMACY

RELIABLE PRESCRIPTION SERVICE SINCE 1906

Phone 31 Wayne

## THE FARM SALE NEWSPAPER OF NORTHEAST NEBRASKA

# The Wayne Herald

Phone Number **130** IS

**Wayne Bowling**

Community League	w	l
Hillcresters	23	11
Winside	24	12
BPM	23	13
Vets	18	20
Enterprise	16	20
Gene's Cafe	14	22
St. Mary's	13	23
Brotherhood	10	26
High scores: Earl Wilsch, 208; Hillcresters, 2240.		

Mrs. Henry Preston has been visiting in the homes of friends and relatives in Oakland the past week.



Thursday, Jan. 12
Contract Club—Mrs. Art
Anchor
Bridge Club—Mrs. Deloires
Meyer
St. Paul's Women
Allied Social Mrs. Forrest
McIntosh
A.C.W.
JUST—Mrs. Hazel Brugge-
man
Lodge Homemakers—Mrs.
Luis Meyer
Sunny Homemakers—Mrs.
Fred Fisher
Wesleyan Methodist Mission-
ary—Mrs. Fernie A. Jussler
Friday, Jan. 13
Woman's Club
Baptist Evening Missionary
Prayer—Mrs. and Mrs. Lavern
Harber
Robb—snack lunch
Monday, Jan. 16
Acme—Mrs. Ralph Eaton
Coterie—Innocent, Mrs. A. T.
Cavanaugh
UD—Mrs. Harry Fisher
Tuesday, Jan. 17
Progressive Homemakers—
Mrs. Art Deansell
Lodge Auxiliary
Della Dea—Mrs. Everett
Willert
St. Peter's Couples Study Club
Friday, Jan. 18
Wesleyan Neighbors—Mrs. Ray
Fisher
Joy Sewing Circle—Mrs.
Ruth Grunke
Club 13—lunch dinner, club
rooms
Presbyterian Women's After-
noon Circle
Thursday, Jan. 19
Immanuel Lutheran Aid
Rural Home Family Dinner
Mothers Study Club
Happy Homemakers—Mrs.
Eml Schmidt
Pleasant Valley Family din-
ner, club rooms
OEB—Mrs. Robert Goodell

SOCIAL EVENTS

Coterie Dessert
Mrs. A. W. Ahern entertain-
ed Coterie at dessert bridge
Monday. Venice Rambo was a
special prize won by Mrs.
Leslie Ellis and Mrs. H. A.
Witch
Mrs. W. L. Phipps Has
PNG Program Tuesday
Mrs. A. D. Lewis and Mrs.
Fred Bilson entertained PNG
Tuesday at the Lewis home.
Roll call was favorite diversion.
The club plans to make 25 chair
back covers for the dining room
for the York Old Fellows home.
Mrs. W. L. Phipps had the pro-
gram. Winners in contests were
Mrs. Roy Pierson, Mrs. Walter
Lerner and Mrs. John Gros-
venor.

Dance
Classes
Will Resume
Sat., Jan. 14
Woman's Club Rooms
Marta Mignery

As Usual . . .
The UNusual at
TILLIE'S!
TROPICAL FISH
Some in Stock — More Coming
Siamese Fighters
Black Mollies
Neon Tetras
Annus Cats
Red Moons
Red Wag Swords
All Varieties of Tropical Fish Available.
If We Don't Have Them—We Can Get 'Em!
Aquariums • Bowls • Plants
Tropical Fish Foods Coming
See Our
Hand Made Ceramics
All Originals — Lowest Prices
Tillie's Shoppe
319 Main Phone 307

Social and Club News

WEDDINGS REUNIONS CLUB MEETINGS SOCIAL EVENTS

Minerva Club
Minerva club met Monday
afternoon at the home of Mrs.
Fred Dale with 12 members at-
tending. Mrs. O. K. Burdastet-
ter gave the program.
St. Pius X Study Club
St. Pius X Study Club club
met at the Joan Nuss home
Monday night. Lesson was on
the attributes of God from the text,
" Catholic Doctrine".
Fortnightly Club
Fortnightly club met Tuesday
in the Hotel Morrison with Mrs.
Fred Nyberg as hostess. Guests
were Mrs. Art Auker and Mrs.
R. W. Casper. Receiving prizes
were Mrs. F. A. Midner, Mrs.
Auker and Mrs. John Danzig,
sr. Next meeting will be with
Mrs. Midner.
Klick & Klatter Have
Purse Making Lesson
Klick & Klatter club met
Tuesday in the home of Mrs.
M. H. Uchert with 12 members
attending. Guests were Mrs.
Fred Lutz, Mrs. Emil Uchert
and Mrs. Lemoyne Cunningham
and son. It was voted for each
member to give \$1.00 to Norfolk
Opportunity club. The lesson
on making purses was given by
Mrs. Rollie Lengert. Mrs. Basil
Osburn and Mrs. Joe Corbit.
Next meeting will be with Mrs.
Corbit.

Eastern Star Installs
New Officers Monday
Eastern Star met Monday
with 55 attending for installa-
tion of new officers. Installing
officers were Mrs. Will Pack,
matron; Mrs. Clarence Preston,
marshal; Mrs. Robert Casper,
organist; Mrs. E. E. Floodwood,
chaplain; Mrs. Ismael Hughes,
warden and Everett Rees senti-
nel.

New Officers Arrive
New officers are: Mrs. Robert
Turner, worthy matron;
Stanley Hanson, worthy patron;
Mrs. Robert Merchant, associate
matron; Robert Merchant, asso-
ciate patron; Mrs. Leslie Ellis,
secretary; Mrs. Everett Rees,
treasurer; Mrs. Robert Harri-
son, conductor; Mrs. R. C.
Halbeck, associate conductress;
Mrs. Otto Baier, chaplain; Kath-
leen Shell, marshal; Mrs. W. C.
Swanson, organist; Mrs. Alfred
Sydow, Adak; Mrs. William Ko-
eber, Ruth; Mrs. Stanley Han-
son, Esther; Mrs. Davo Hamer,
sr., Martha; Mrs. Ross James,
Eletia; Mrs. Rod Love, warden;
and Mrs. Ralph Eaton, sentinel.
Past matron and patron pins
were presented to Mr. and Mrs.
Rees by the chapter. Officers
gave them a basket of flowers.
Mrs. Leslie Ellis was presented a
grand representative pin by Mrs.
Rees. Mrs. Otto Baier was serving
chapman.

Four Win OEB Prizes
Mrs. Arnold Mau, Mrs.
Charles Surber, Mrs. Paul Lar-
son and Mrs. Robert Goodell
won prizes at OEB Thursday.
Mrs. Norris Weible was hostess.
Mrs. Jaycees Have TV
And Radio Programs
Mrs. Jaycees met Tuesday
with Mrs. Louis Posthill in
charge.
A covered dish supper is
planned in February. Food
chairman is Mrs. Ed Widawski.
Ticket chairman is Mrs. Merlin
Moyer. Gimmick chairman is
Mrs. Dale Thierolf.
Radio and TV shows were
given for entertainment. Hos-
tesses were Mrs. Keith Jech
and Mrs. Jim Pockett.

Women Elect Officers at
Country Club Board Meet
Country club women's board
at a meeting in the library
Thursday evening elected Mrs.
Wilmer Griess, chairman, Mrs.
Robert Harrison, vice chairman,
and Mrs. Fred Gildersleve,
secretary-treasurer. Mrs. R. W.
Casper, retiring president, con-
ducted the meeting until offi-
cers were elected.
Mrs. Griess appointed the fol-
lowing chairman: Mrs. Harrison,
gold; Mrs. L. W. McNatt, hous-
ing; Mrs. J. N. Erling, finance;
Mrs. J. M. Strahan, bridge;
Shirley Mabey, membership; and
Mrs. Howard Witt, publicity.

Presbyterian Women
Hear Mrs. B. Lane
Presbyterian Women's after-
noon group met last Wednesday
for a covered dish luncheon.
Mrs. Bert Lane gave a talk on
her own experiences and impres-
sions of European living. Guests
were Mrs. L. A. Fenske, Mrs. Clar-
ence Sorenson and Lenore Ram-
sey. Hostesses were Mrs. A. E.
Davison, Mrs. Ralph Becken-
hauser and Mrs. M. N. Foster.

Trinity Lutheran Aid
Drains 29 Thursday
Trinity Ladies aid met Thurs-
day with Mrs. Arnold Sieken
and Mrs. Verhol Schmidt as hos-
tesses. Twenty-nine members at-
tended.
Rev. Wentzel led the devo-
tions. Prayers were given by
Richard and Cheryl Sieken.

It was voted to have the pres-
ident attend the Christian An-
growth institute at Wisner Jan.
31-Feb. 1. Five dollars will be
given to the March of Dimes.

News of Wayne Churches

THE ANSWER IS
GOD
WORSHIP PLAN

Wesleyan Methodist Church
(M. H. Budensiek, pastor)
Thursday, Jan. 12: Ladies Mis-
sionary society, 2 p. m.
Sunday, Jan. 15: Sunday school,
10 a. m.; morning worship, 11;
evening Bible study, 7:30 p. m.;
evening gospel hour, 8.
Wednesday, Jan. 18: Bible study
and prayer meeting, 8 p. m.
First Methodist Church
(A. B. Gray, pastor)
Sunday, Jan. 15: Wesley Founda-
tion coffee hour, 9:30 a. m.;
Sunday school, 9:45; worship, "Liv-
ing in Dreamland," and nursery
for pre-school children, 10:55;
family night, 7 p. m.; Intermediate
fellowship, 7; High school fellow-
ship, 7.
Wednesday, Jan. 18: Junior
choir, 6:15 p. m.; Chancel choir,
7:15; Young Adult fellowship, 7:30.
Immanuel Lutheran Church
Missouri Synod
(T. H. Buchner, pastor)
Friday, Jan. 13: Annual voters
meeting, 12:30 p. m.; Bible school, 10;
Saturday, Jan. 14: Saturday
school, 9 a. m.
Sunday, Jan. 15: Worship serv-
ice, 10 a. m.; Sunday school, 11:15.

Redeemer Lutheran Church ULC
(S. K. de Freese, pastor)
Saturday, Jan. 13: united choir
practices, 1:30 p. m.; confirmation
classes, 2.
Sunday, Jan. 15: Early services,
"Concentrating on the Significant,"
9 a. m.; Sunday school, 10; late
service, 11; annual congregational
meeting held with late service.
Wednesday, Jan. 18: Youth
choir, 6:45 p. m.; Senior choir, 7;
teachers meeting, 8.
St. Paul's Lutheran Church
(W. G. Volker, pastor)
Thursday, Jan. 12: St. Paul's
Women executive cabinet, 12:30;
St. Paul's Women missionaries meet-
ing, 2.
Saturday, Jan. 14: Junior con-
firmation class, 1 p. m.; Junior
choir, 2; Senior confirmation class,
2:15.
Sunday, Jan. 15: Church school,
9:45 a. m.; worship service, 11;
congregational dinner, 6:30 p. m.
Wednesday, Jan. 18: Senior
choir, 7 p. m.

Theophilus Evan. and Ref. Church
(Stamond W. F. Klasing, pastor)
Sunday, Jan. 15: Sunday school,
9:30 a. m.; worship service, 10:30.
Thursday, Jan. 19: Choir rehearsal,
7:30 p. m.
Trinity Lutheran Church, Altona
(K. F. Wentzel, pastor)
Sunday, Jan. 15: Divine services,
10 a. m.
St. Mary's Catholic Church
(William Klefman, pastor)
Saturday, Jan. 14: Mass, 8 a. m.;
religious instruction for public
school students, 1:30 p. m.; confes-
sions, 4:30-5:30 and 7:30-9.
Sunday, Jan. 15: Low mass and
benediction, senior choir, 8 a. m.;
high mass, junior and CYO choir,
10; social gathering sponsored by
St. Mary's Men, 8 p. m.
Tuesday, Jan. 17: St. Peter's
Couples Study, club home, 8 p. m.; confessions, 6:17 p. m.
Wednesday, Jan. 18: Distribution
of holy communion, 6:45 a. m.;
mass, 7; corporate communion for

NuFu Meets in
C. C. Stirtz Home
NuFu met last Wednesday in
the home of Mrs. C. C. Stirtz.
Mrs. Willard Wenhaupt was a
guest. Mrs. Aden Jeffrey won
high next meeting will be with
Mrs. W. G. Schulz.

Margaret McQuistan and
John Young, Jr., Engaged
Mr. and Mrs. Edward W. Mc-
Quistan, Ponder, announce the
approaching marriage of their
daughter, Margaret Jean, to
John W. Young, Jr., son of Mr.
and Mrs. John W. Young, Blair.
Miss McQuistan attended WS-
TC and is a graduate of the
University of Nebraska school
of nursing. She is now on the
staff at University hospital.
Mr. Young attended Dana col-
lege and the University of Ne-
braska. The couple plan to be
married Jan. 28.

EOT Club Meets in
Harry Hofeldt Home
EOT club met Thursday in
the home of Mrs. Harry Hofeldt.
Guests were Margaret Hofeldt
and Mrs. Max Brudigan. Cards
were played with prizes going
to Mrs. Ray Hansen and Mrs.
Gene Sandahl. Mrs. George
Reuter was assistant hostess.
Next meeting will be in the
home of Mrs. Heiman Thun.

King's Daughters
King's Daughters met Thurs-
day in the Church of Christ.
Mrs. Ray Aegle, jr., was hos-
tess. A Paul Cook led devo-
tions. A Mrs. Cook gave the
missionary lesson. Mrs. John
Beckman will be Feb. 2 hos-
tess.

Grace Lutheran Church
Missouri Synod
(E. J. Bernthal, pastor)
Thursday, Jan. 12: Choir prac-
tice, 7:30 a. m.
Friday, Jan. 13: Adult evening
study group, 7:30 p. m.
Saturday, Jan. 14: Bible school,
1:30 p. m.; confirmation instruc-
tion, 3.
Sunday, Jan. 15: Sunday school
and youth Bible class, 10 a. m.;
Bible study for adults, 10:10; wor-
ship service, "So You Have Been
Elected to an Office," installation
of new officers, 11; Walther
league softball game, Carroll,
2:30 p. m.
Monday, Jan. 16: Parish educa-
tion committee, 8 p. m.
Tuesday, Jan. 17: Sunday school
staff meeting, 7:30 p. m.

First Presbyterian Church
(Oliver B. Proett, pastor)
Sunday, Jan. 15: Church school,
9:45 a. m.; nursery, 11; worship,
"The Test of Religion," special
music, 11.
Wednesday, Jan. 18: Women's
association, 2:30 p. m.; annual con-
gregational dinner, 6:30; annual
congregational meeting, 7:30.
Thursday, Jan. 19: Council
Presidents of Nebraska, 10 a. m.;
special meeting, Presbytery of
Nebraska, 1:30.

Church of Christ
(A. Paul Cook, pastor)
Sunday, Jan. 15: "The Living
Word," 8 a. m.; Bible school, 10;
worship, "Fear and Comfort,"
Lord's supper and special music
by Senior choir, 10:55; CYP meet-
ing, 7 a. m.; evening service,
"Things Indestructible," inspira-
tional scripture quoting and youth
special, 8.
Wednesday, Jan. 18: Senior
choir, 7 p. m.; prayer meeting and
Dooster club, 8; Growing in Grace
study, 8:10.

First Baptist Church
(Russell M. Darken, pastor)
Sunday, Jan. 15: Sunday school,
9:45 a. m.; worship service, 11;
Senior BYF, 6:30 p. m.; evening
service, 7:30.
Wednesday, Jan. 18: Midweek
prayer meeting and Bible study,
7:30 p. m.

1955 JANUARY 1956
Start the NEW YEAR
with KING-SIZE
SAVINGS
Rexall always offers you quality and
quantity at money-saving prices!
YOUR REXALL DRUG STORE
Wayne, Nebr.
Griess
Rexall Store
WAYNE, NEBR.

UD Club Meets
UD club met Monday in the
home of Mrs. Amos Claycomb
for a luncheon. Next meeting
will be with Mrs. Harry Fisher.

JOB Elects Officers
At Friday Meeting
JOB elected the following offi-
cers at a meeting Friday: Mrs.
Russell Lindsay, president; Mrs.
Lou Test, vice president, and
Mrs. Frank Lindsay, secretary-
treasurer. Mrs. Harry Gramquist
was hostess. Mrs. Henry Schmitz
assisted. Husbands were guests.

Hillside Club Holds
Evening Party Friday
Hillside club met Friday even-
ing in the Woman's club rooms
with 15 members and their fam-
ilies present. Fitch was played.
Prizes went to Lawrence Thom-
son, Lowell Retzwich, Henry
Retzwich, Mrs. August Wittler
and Mrs. Alvin Temme. Next
meeting will be with Mrs. Lula
Backstrom.

500 Club Entertains
Husbands at Meeting
500 club met Tuesday after-
noon in the home of Mrs. Bob
Rinehart. Mrs. Clarence Mann
was a guest. Prizes went to Mrs.
Gusta Hansen and Mrs. Paul
Zeplin. The club entertained
their husbands in the evening in
the John Lutz home. Guests
were Mr. and Mrs. Frank
Longe, Mr. and Mrs. August
Brudigan and Mrs. Linda Brud-
igan. Prizes were won by Mr.
and Mrs. Frank Longe, Mr. and
Mrs. August Brudigan and Dick
Hansen.

Redeemer Aid Entertains
Five Guests Thursday
Redeemer Lutheran Ladies
Aid met Thursday with 67 mem-
bers attending. Guests were
Mrs. Marvin Brudigan, Mrs. Ed
Grone, Mrs. William Vahlkamp,
Mrs. Don Emery and Mrs. Ben
Meyer. Rev. S. K. de Freese
conducted devotions and prayer.
Mrs. Don Emery spoke to the
group on "Inspirations of An-
cient Religion." Hostesses were
Mrs. Albert Bichel, Mrs. Curtis
Foote, Mrs. William Blecke,
Mrs. John Luschen, Mrs. Ed
Damme, Mrs. August Brudigan,
Mrs. Louis Test and Mrs. Harry
Schulz.

Mrs. Gulliver Entertains
OES Kensington Friday
OES Kensington met Friday
at the home of Mrs. Arthur
Gulliver with Mrs. Fred Den-
linger, Mrs. P. P. Roberts and
Mrs. Walter Woods assisting.
Projects are to help Fremont
Children's home and Plattsmouth
home by sending gifts each
Christmas.

Acme Sees Slides
Mrs. David Hamer entertained
Acme Monday with colored pic-
tures of scenes in England and
Wales taken when Hamers vis-
ited those countries in October.
Mrs. Walter Bressler was hos-
tess to the club Monday after-
noon.

Redeemer 79'ers Hold
Installation Service
Redeemer Lutheran 79'ers met
last Sunday for installation of
officers. Rev. S. K. de Freese
presided. Officers installed were:
Mr. and Mrs. John Gathie,
presidents; Mr. and Mrs. LeRoy
Griesch, vice presidents; Mr.
and Mrs. Joe Jones, secretaries,
and Mr. and Mrs. Ed Grone,
treasurers.

VFW Auxiliary Orders
Buddy Poppies Monday
VFW Auxiliary met Monday
evening. Hostesses were Mrs.
Jim Murray, Mrs. John Schro-
eder and Mrs. Luther Milliken.
Two thousand poppies were
ordered. Mrs. Emil Bargholz
and Mrs. Frank Horrell were in
charge of entertainment. Cards
were played with prizes going
to Mrs. Ben Meyer, Mrs. Charles
Stockman and Mrs. Norbert
Brugger. Door prize was won
by Mrs. Fred Bilson.

The Wayne (Nebr.) Herald, Thursday, January 12, 1956
For Your Wedding
Distinguished Invitations
Indication of your own good taste—the
correctness and smartness of invitations
printed to your order. Also stationery
and calling cards.
Come in for prompt service.
The Wayne Herald
Phone 130

JUNE
IN
JANUARY
JUBILEE
Vicky Vaughan
HEARTBREAKER
for romantic plans
Our polka princess, with a wonderful talent for making your
figure perfect! Love lettered with Venice lace, you're off in
a cloud of full, full skirt just made to dance in. Vicky Vaughan
does it in cotton with a beautiful new twist—Blum's crisp-
textured, non-iron Twist Knot, delightfully crease-resistant.
Navy, brown, rose, periwinkle or gold. Sizes 7 to 15.
8:98
as seen in SEVENTEEN
and on "THE BIG PAYOFF" CBS-TV
as seen in CHARM and GLAMOUR
and on "THE BIG PAYOFF" CBS-TV
FANFARE
to fashion in lustrous plaid
An exciting interpretation of everybody's first love—the
shirtdress. Tom Todd makes it something to shout about in
Columbia's lustrous London Square, luxurious blend of ac-
cote and cotton; surprisingly sturdy on washday, blissfully
crease-resistant. Velvetted, yoke tucked and very full of
color. Grey, turquoise, rose, purple or brown. Sizes 10 to 20.
8.98
See our windows for other styles . . . then come
in and try them on. You'll be thrilled with these
sparkling new fashions at . . .
7.98 and 8.98
SWANS'
Apparel for Women

HOSKINS

# Hoskins Couple Honored on Sixty-fifth Wedding Monday

Mr. and Mrs. Fred Miller were honored Monday by relatives and friends in honor of their sixty-fifth wedding anniversary. The couple have lived in Hoskins the entire time.

Mr. Miller, now 86, came to Hoskins from Germany when 18 months old. Mrs. Miller, 83, came to America when she was 17. The couple have 16 grandchildren, 26 great-grandchildren and two great-great-grandchildren.

Four of the six Miller children and their families were present at a family dinner. They were: Mr. and Mrs. Carl Bauermeister, Norfolk; Rev. and Mrs. J. Harms and Eunice, Beemer; Mr. and Mrs. Carl Miller, Oakland, Ore.; Walter Miller, Blue Earth, Minn.; and Rev. and Mrs. Fred Miller and family, LaCrosse, Wis.

Other guests were Rev. and Mrs. Robert Harms and family and Mr. and Mrs. Gerhard Harms, Pierce, and Mr. and Mrs. Henry Kieper, Wayne.

Mr. and Mrs. Harry Drevsen and Janet Kay and Mr. and Mrs. Louis Bevan were visitors in the Delmer Kremke home Thursday evening.

Mr. and Mrs. George Langenberg were visitors in the Edward Kollath home Sunday evening.

Rev. and Mrs. Peter Krey, Norfolk, were supper guests in the Rev. G. B. Frank home Monday.

Mr. and Mrs. Walter Fenske and Mrs. Myron Walker were visitors in the Ed Shellenberg home Friday evening.

Mrs. Jim Caveny McCook came Thursday to visit until Tuesday in the home of her parents, Mr. and Mrs. Krist Jensen, and her sister, Mrs. Willis Ritz.

Rev. and Mrs. G. B. Frank and family were supper guests in the Rev. L. F. Groth home, Stanton, Sunday.

Mr. and Mrs. Willis Ritz, Billy and Dickie and Mrs. Jim Caveny were dinner guests Sunday in the Krist Jensen home, Winside.

Mrs. Clarence Schroeder, Mrs. Hans Asmus and Mrs. J. E. Pingel attended the annual P-TA conference Saturday at Wayne.

Mr. and Mrs. Edward Kollath were visitors in the Heuman Marten home, Norfolk, Sunday afternoon.

## Hoskins School Royalty Named Tuesday Night

Carolyn Wittler and Phil Scheurich were crowned Hoskins homecoming queen and king in ceremonies at the Winside-Hoskins basketball game last Tuesday night.

Attendants were Deloris Galinat, Ruth Nurnberg, Deloris Strate, Randall Krause, Bill Opper and Bob Fletcher. The royal party was conducted to the theme by Junior President Charlotte Kleinbach and Vice President Eugene Ehrlich, who later presented gifts to Miss Wittler and Scheurich.

Coronation was handled by Carol Rathman and Gene Nurnberg, 1953 royalty. A dance followed the game in the school auditorium. Winside spoiled the festivities by taking a 79-35 victory.

Mr. and Mrs. Elmer Maas and family visited Thursday evening at the Everett Neuman home.

Mr. and Mrs. Hans Hansen were visitors in the Mrs. Minnie Krause home Wednesday afternoon.

Mrs. H. C. Mittelstaedt and Mrs. A. Bruggeman were Friday afternoon visitors at the Hans Asmus home.

Mr. and Mrs. Marvin Meihack returned home last Sunday after

spending the holidays in the home of Mrs. Meihack's parents, Mr. and Mrs. Edwin Stilljes, Milwaukee.

Mr. and Mrs. Edwin Strate and Deloris, Mr. and Mrs. Ed Maas and Mr. and Mrs. Claus Rathman were Tuesday evening guests at the Hans Asmus home.

Mr. and Mrs. Harry Schwede and sons were among guests at the Carl Schwede home, Pierce, Friday evening.

Mr. and Mrs. Harry Schwede and Mrs. Minnie Kuessel and daughters were visitors in the Ed Gresitz home, Stanton, last Monday evening.

Mrs. Hans Asmus and Arlene visited at the Ben Brumels home Sunday afternoon.

Heggermeyer home, Tilden, Sunday evening.

Mr. and Mrs. J. E. Pingel and Richard were supper guests in the Louis Bendin home Thursday, Mr. and Mrs. Harry Drevsen and Janet Kay were evening visitors.

Mr. and Mrs. Walter Gutzman and Mr. and Mrs. Clarence Schroeder were supper guests in

## Society ...

**Trinity Ladies Aid**  
Trinity Ladies aid met Thursday afternoon at the school basement. Rev. G. B. Frank led devotions. Mrs. A. Bruggeman conducted the business meeting. It was voted to start meetings at 1:30 p.m. through March. A collection will be taken at the next meeting for a tape recorder. Mrs. Wayne Thomas and Mrs. Robert Thomas will be hostesses. Hostesses Thursday were Mrs. Harry Strate and Anna Wontoch.

**Gard Club**  
Mr. and Mrs. Walter Behmer entertained Gard club Tuesday evening. Pitch prizes were awarded to Mr. and Mrs. Elmer Kaun, Pierce, Mrs. Herbert Kittle and August Spengler, Norfolk, Jan. 19 meeting will be held at the Wayne Thomas home.

**Busy Beavers**  
Busy Beaver 4-H club met at the home of Mrs. Clarence Schroeder Wednesday evening. Myrtle Anderson was a visitor. Games were played and a lunch was served by Marlene Frink. Next meeting will be Feb. 1.

**Peace Dorcas Society**  
Members of Peace Dorcas society met at the church Thursday with Mrs. Alton Fuhrman as hostess. The business meeting was conducted by Mrs. Arnold Wittler.

**Birthday Card Party**  
Mr. and Mrs. Fred Kleensang entertained the following guests Friday evening in honor of Mr. Kleensang's birthday: Mr. and Mrs. Otto Kleensang, Mr. and Mrs. Henry Kleensang, Mr. and Mrs. Marvin Kleensang, Mr. and Mrs. Ed Carlson, Mrs. Martha Lutt, Herbert Peters and Norman, Mr. and Mrs. Martin Schermer and Alfred and Mrs. Minnie Krause and Marjorie. Pitch prizes were won by Mrs. Lutt, Mrs. Henry Kleensang, Norman Peters and Marvin Kleensang.

Mr. and Mrs. Delbert Smith and family were Saturday evening visitors at the Arthur Behmer home.

Mr. and Mrs. Harry Schwede and sons were Tuesday evening visitors at the Edward Bernhardt home, Norfolk.

Mr. and Mrs. Hans Asmus and Mrs. Minnie Krause and Margaret visited Willard Maas and H. C. Mittelstaedt in a Norfolk hospital Wednesday evening.

Sunday evening guests at the Lorenz Herbolzheimer home were: Mr. and Mrs. Everett Neuman and family and Mr. and Mrs. Edwin Koepke.

Mr. and Mrs. George Wittler were Sunday evening visitors at the Awalt Walker home.

Mr. and Mrs. Alvin Wagner and family were visitors in the Robert

the Albert Behmer home, Norfolk, Thursday.

Rev. and Mrs. G. B. Frank and family and Mr. and Mrs. Marvin Meihack were supper guests in the George Wagner home Friday.

Rev. and Mrs. G. B. Frank and family and Mr. and Mrs. Marvin Meihack were dinner guests Sunday in the Alvin Wagner home.

Mrs. Lyle Nelson, Lynette and Randall, Winside, and Cleo Lagerer, Norfolk, were visitors Sunday afternoon in the William Thoenigdel home.

Mrs. Ella Buchanan, Osmond, Mrs. John Krause and Mrs. Gilbert Fletcher spent Friday in the Vernon Behmer home.

Mr. and Mrs. Henry Langenberg, Jr., and family were visitors in the Vernon Behmer home Friday evening.

Mrs. Emil Gutzman, Mrs. Walter Fenske, Mrs. Clarence Schroeder, Mrs. Erwin Ulrich, Mrs. Wil-

# HOSKINS NEWS

Mrs. J. E. Pingel, Phone 73

Ham Riggert and Mrs. James Robinson attended the extension council meeting in Wayne Monday.

Mr. and Mrs. Herbert Kollmorgen, Bee and Judy, Wayne, and Mr. and Mrs. Carl Kollmorgen, West Point, were dinner guests in the Louis Bendin home Friday.

Mr. and Mrs. Henry Falk, Lyle and Willis were visitors in the Kennard Hall home Wednesday evening.

Mr. and Mrs. Louis Bendin and Mrs. J. E. Pingel and Richard attended the basketball game between Kearney and Wayne Friday.

## Helping Hand Club Holds Annual Supper

Helping Hand club members and their families held their annual chili and oyster supper Sunday at the Harry Schwede home. Elaine Ellenberger, Norfolk, was a guest. Pitch prizes were awarded to Mrs. Herbert Ehrlich, Mrs. John Theitler, Victor Perske and Edwin Strate.

Mr. and Mrs. Ed Shellenberg, Mr. and Mrs. Dallas Shellenberg, Kirt Lee and Karmen, Mr. and Mrs. Clarence Hamm and Mr. and

Mrs. Leonard Norling, Norfolk, were supper guests in the Edwin Brocken home Sunday.

Mrs. Paul Riggs was a caller in the Clarence Schroeder home Sunday evening.

Rev. and Mrs. G. B. Frank were visitors in the Carl Wontoch home Osmond, Friday afternoon.

Mr. and Mrs. E. O. Behmer spent Monday afternoon in the Vernon Behmer home.

Mrs. Verne Fuhrman and Stephanie were Sunday afternoon callers in the Marvin Fuhrman home.

Mr. and Mrs. Erwin Ulrich were Friday evening visitors in the Ezra Jochens home.

Mrs. Hans Asmus spent Wednesday afternoon in the Vernon Behmer home.

In honor of David's fourth birthday Mr. and Mrs. Robert Wesely entertained Mr. and Mrs. Samuel Ulrich and LaDonna and Mr. and Mrs. Erwin Ulrich Sunday evening.

## Churches

United Evan. Brethren Church (Paul H. Riggs, pastor)  
Sunday, Jan. 15: Sunday school, 10 a. m.; worship, 11; evening service, 7:30 p. m.  
Thursday, Jan. 19: Study class all day meeting, 9:30 a. m.; W.S.C.S. Erwin Ulrich home, 1:30 p. m.

Trinity Lutheran Church Wisconsin Synod (G. B. Frank, pastor)  
Thursday, Jan. 12: Choir rehearsal.  
Saturday, Jan. 14: Adult instruction class, 8:30 a. m.  
Sunday, Jan. 15: Divine services, 10 a. m.; Sunday school, 11.  
Wednesday, Jan. 18: Adult instruction class, 7 p. m.

More HOSKINS—page 7



Shop SAFEWAY

# Here's summer freshness for your winter meals

Fresh fruits and vegetables are always "in season" at Safeway!

Step into your Safeway Garden Room...and suddenly it's summer! Just look at this beautiful assortment of orchard-fresh, garden-fresh fruits and vegetables. They're all featured at Safeway right now...to brighten your winter meals with their summery flavor and variety.

Safeway's produce experts actually go into the growing areas all over the country...where they choose the very "cream" of each crop, for immediate shipment, direct to Safeway. This careful, on-the-spot selection pays off in fresher, finer fruits and vegetables for you!

- Navel Oranges California Seedless, sweet, delicious juice ... 5 Lbs. 49c
- Head Lettuce Firm, various size heads, fresh, crisp, makes tasty tossed salads ... Lb. 10c
- Green Onions Garden-fresh ... Bunch 5c
- Cauliflower Fresh, snowy heads, medium size, clean, firm ... Lb. 15c

- Tomatoes Red, firm, ripe, ideal for slicing ... Carton 25c
- Green Peppers Sweet and Meaty ... Lb. 25c
- Rhubarb Firm, tasty, well-colored ... 2 Lbs. 25c
- Turnips Firm and smooth, mild flavor ... Lb. 12c
- Avocados Large size, excellent quality ... 2 For 25c
- Celery Pascal; natural color, fresh, crisp stalks ... Lb. 12c
- Cucumbers Fresh, firm, crisp ... Lb. 15c
- Potatoes Red, U. S. No. 1 Grade ... 10-lb. Bag 49c

For Big Cash Saving... Shop Safeway!

- Fruit Cocktail Libby's, choice ... No. 24 Can 35c
- Peaches Sundown brand ... No. 24 Can 29c
- Orange Juice Highway brand ... 16-oz. Can 31c
- Grape Juice Bel-air; frozen ... 6-oz. Can 39c
- Cherry Pie Mix Wilderness ... No. 2 Can 35c
- Pie Filling LaLani; Pineapple ... No. 7 Can 29c
- Frozen Peas Bel-air; premium quality ... 10-oz. Can 21c
- Green Beans Briargate; cut, 2-1/2 lb. fancy quality ... 14-oz. Can 39c
- Asparagus SPEAR'S; Highway ... 14-oz. Can 29c
- Chunk Tuna Star-Kist, fancy, 6-1/2-oz. light meat ... 10-oz. Can 37c
- French Dressing Kraft or Miracle ... 16-oz. Bottle 37c
- Italian Dressing Wishbone ... 8-oz. Bottle 35c
- Salad Oil Mayday, fresh ... 1-pt. Bottle 59c
- Cider Vinegar Heinz ... 1-pt. Bottle 21c
- Salad Dressing DuChese; fresh ... 1-1/2 Jar 34c
- Margarine Sunnybank ... 1-lb. Pkg. 25c
- Cottage Cheese Roberts; fresh ... 12-oz. Ctn. 22c
- White Bread Skyline; sliced, fresh daily ... 20-oz. Loaf 22c
- Facial Soap Woodbury (Special Offer) ... 8-oz. Pkg. 18c
- Borax for cleaning hands ... 1-lb. Pkg. 21c
- 20-Mule Team Borax ... 1-lb. Pkg. 21c

- HAZOLA OIL 1-Quart Bottle 67c
- KARO SYRUP Dark (blue label) 24-oz. Bottle 21c
- VEL 15-oz. Pkg. 31c 37 1/2-oz. Pkg. 74c
- SURF 19-oz. Pkg. 31c 51 1/2-oz. Pkg. 74c
- CHEER 21-oz. Pkg. 31c 51-oz. Pkg. 74c
- ALL DETERGENT 24-oz. Pkg. 39c

### Wonderful ways with fruits and vegetables

Perk up your winter menus with some of these new ideas! You'll find all the fresh fruits and vegetables...together with the other ingredients...featured at Safeway now!

**FOLKS RAVE** about eggburgers. Just scramble eggs with chopped green pepper, tomato and onion. Season. Spoon on hot-toasted buns and pass the ketchup.

**FOR BRIGHTER GREENS:** Perk up lettuce, cabbage and other greens by plunging them in salted ice water mixed with a bit of vinegar.

**NEW TWIST** to the ever-popular cinnamon toast. Toast bread and spread one side with butter. Top with thinly sliced bananas; sprinkle with cinnamon-sugar mixture and bake until bubbly.

**SWEET IDEA** this Sweet Potato Ambrosia. Mash hot sweet potatoes, adding enough orange juice to make them fluffy. Heap into casserole, dot with butter and sprinkle with coconut. Bake until coconut toasts.

**GOOD COMPANIONS** are hot buttered cauliflower and creamed chipped beef. A vegetable is a nifty substitute for the usual toast.

**ENTERTAINING IDEA:** Cut potatoes into fingers as you do for French fries; scallop them your usual way and sprinkle with poppy seeds just before serving.

**WHAT'S COOLING?** Avocados. They should be nice and chilly for the dinner appetizer made by dressing cubed avocado with equal parts of sour cream and chili sauce, spiked with lemon juice.

**GO STYLISH** with green beans simmered in consommé or bouillon. When they are tender but still slightly crisp, stir in hot cooked mushrooms.

**REPORT OF CONDITION OF Commercial State Bank of Hoskins, Nebraska**  
Charter No. 1664  
at the close of business on December 31, 1955

ASSETS	
Cash, balances with other banks, including reserve balances, and cash items in process of collection	\$376,984.34
United States Government obligations, direct and guaranteed	40,000.00
Other bonds, notes, and debentures	11,000.00
Loans and discounts (including \$800.23 overdrafts)	384,532.56
Bank premises owned Non-furniture and fixtures \$1,152.50	1,152.50
<b>TOTAL ASSETS</b>	<b>\$813,669.40</b>
LIABILITIES	
Time deposits of individuals, partnerships, and corporations	\$428,359.79
Time deposits of individuals, partnerships, and corporations	219,157.99
Deposits of United States Government (including postal savings)	5,488.85
Deposits of States and political subdivisions	40,127.34
<b>TOTAL DEPOSITS</b>	<b>\$693,113.97</b>
<b>TOTAL LIABILITIES</b>	<b>\$693,113.97</b>
CAPITAL ACCOUNTS	
Capital*	\$ 25,000.00
Surplus	34,000.00
Undivided profits	61,565.43
<b>TOTAL CAPITAL ACCOUNTS</b>	<b>\$120,565.43</b>
<b>TOTAL LIABILITIES AND CAPITAL ACCOUNTS</b>	<b>\$813,669.40</b>

\*This bank's capital consists of:  
Common stock with total par value of \$ 25,000.00

**MEMORANDA**  
Assets pledged or assigned to secure liabilities and for other purposes (including notes and bills rediscounted and securities sold with agreement to repurchase) \$ 40,000.00

I, Ed Kollath, Cashier of the above named bank, do hereby certify that the above statement is true to the best of my knowledge and belief.

**CORRECT—ATTEST**  
Eric Meierhenry,  
Geo. Langenberg,  
Ezra Jochens,  
Directors.

Ed Kollath, Cashier

Build your menus around Safeway's guaranteed meats ...

## Smoked Picnics

First Quality Brands; 6 to 8-lb. average, cello-wrapped ... Lb. 23c

- Pork Roast Fresh Shoulder (Boston) Butt ... Lb. 25c
- Small Spareribs fine for braising or stewing ... Lb. 33c
- Sliced Bacon Hormel; thick-sliced ... Pkg. 65c
- Stewing Beef Boneless, lean cubes of beef ... Lb. 59c
- Breaded Shrimp Captain's Choice; frozen, ready to cook ... 10-oz. Pkg. 49c
- Halibut Steaks Captain's Choice; frozen, ready to cook ... 16-oz. Pkg. 49c
- Perch Fillets Captain's Choice; frozen, ready to cook ... 16-oz. Pkg. 35c
- Stick Chili First Quality Brands ... 1-lb. Pkg. 39c

Shop SAFEWAY

Prices Effective thru Saturday, January 14, in ... Wayne



### SOUTHWEST Wakefield

Mrs. Lawrence Ring  
Phone Atlas 7-2820

Mr. and Mrs. Lawrence Hanson and Jean were Sunday afternoon supper guests in the Kermit Johnson home.

Mr. and Mrs. Lorraine Fischer were in the Pete Oberg home for supper in observance of his birthday. Sunday evening they dined in the Harold Fischer home.

Annette Borg, Omaha, was in for the weekend.

Mrs. C. R. Ash and Mrs. M. Dicks Sandahl were Sunday afternoon visitors in the Harold Johnson home.

Mrs. Joe Beckenhauer's birthday was celebrated Monday afternoon at the home of the neighbors.

The Marion Ring family, Wayne, spent Sunday in the C. L. Bard home.

Mrs. C. R. Ash attended a mandatory committee meeting with Mrs. W. Lundahl Wednesday.

Graduate Pinning and Betty Sorenson, City, visited in the Lundahl home Sunday afternoon.

Mr. and Mrs. Martin Holmberg and Mrs. W. Lundahl visited in the home of John and Mrs. M. Dicks Sandahl.

Mr. and Mrs. Ed Sandahl were in the Leslie Rockwell home, South Sioux City, on Wednesday.

Mr. and Mrs. Carl Sundell were in the Charles Pierson home Sunday evening.

Mrs. Kermit Johnson's birthday Friday was observed when a group spent the afternoon at her home.

Mr. and Mrs. Joe Johnson were at Paul Dahlgren's last Monday evening, Tuesday after attending the Mrs. Oscar Svanson funeral they were coffee guests in the Roy Sundell home.

The Carlson and Stanley families attended a family gathering in the Dixon school auditorium Sunday morning the out-of-town relatives.

The aunt whose funeral services Laurence Carlson attended in Omaha last Tuesday was the former Nell Scott, who grew up in the Wakefield vicinity and was married to Glen B. Biederup, also from here. She died in the family home at Los Angeles Dec. 29. Harry and Walter Scott, brothers of the deceased, accompanied the Carlsons to Omaha.

Mr. and Mrs. Jim Chambers of Long Beach, Calif., for a two-day visit with relatives. They accompanied Dave Chambers, Thurston.

Walter Chinn drove to Council Bluffs Monday to get Mrs. Chinn, who had spent the week there. Jean accompanied them home for the week as did Mrs. Glen Boley, Benton, Mo., who arrived in Council Bluffs Friday.

Mr. and Mrs. Dick Sandahl visited in the Bill Nelson home Thursday evening.

Thursday evening Mr. and Mrs. Carl Sandahl visited in the George Allin home.

Mr. and Mrs. C. A. Bard were in the Harry Wirt home Sunday afternoon.

Mr. and Mrs. Bill Haines, Debby and Peggy, Minneapolis, were weekend guests in the Laurence Carlson home. Mr. and Mrs. J. E. Garter, Mead, Calif., Mr. and Mrs. L. A. Haines, Darwin, Beverly, Steve and Mike, St. Francis, Minn., Ernest Haines, Minneapolis, Mrs. Earl Hinds and J. J. Stanley, Ponca, and Mrs. Bob Stanley were Saturday dinner guests in the Carlson home.

Mr. and Mrs. Jack Soderberg went to Omaha Monday afternoon. That evening Mrs. Soderberg attended a pre-nuptial shower for Jacqueline in the Paul Guhl home. Jack visited in the Dave Seastedt home.

wood and family were guests of honor. They are soon moving from the vicinity.

Mr. and Mrs. Erick G. Johnson were Sunday evening visitors in the Russell Johnson home near Wayne.

Mr. and Mrs. Walter Johnson, Sheryl and Kurt were Sunday afternoon and supper guests in the Jack Rethwisch home, Carroll.

Lloyd Hugelman spent the weekend in the Bill Hugelman home, Winner, S.D., and was an Omaha visitor Monday.

Mr. and Mrs. Charles Pierson were Tuesday afternoon coffee guests of Ruth Nelson, Sioux City.

Mr. and Mrs. Harry Hinnech, Portola, Calif., were houseguests in the Walter Johnson home from Tuesday until Saturday.

Mr. and Mrs. Walter Otto and Sandy and Mr. and Mrs. Lloyd Carlson and family, Uehling, were entertained at dinner in the Roy

### SOUTHEAST Wakefield

Mrs. Ellis Johnson  
Phone Atlas 7-2346

Five members attended Serve-All Club meeting at the home of Mrs. Ted Harrison Friday afternoon. Mrs. Kenneth Gustafson and Mrs. Vern Carlson were guests. Mrs. Verdel Lund and Mrs. Wilbur Utecht presented the handicraft lesson and the ladies learned to make purses.

An annual family dinner and party was held in the Reuben Goldberg home Monday evening. Mrs. Harry Oak and Mrs. John Beckenhauer planned the menu and Mrs. Clarence Schlines and Mrs. Donald Fleetwood furnished entertainment. Mr. and Mrs. Raymond Strizek and family, Mr. and Mrs. Walter Johnson and family and Mr. and Mrs. Donald Fleet-

wood and family were guests of honor. They are soon moving from the vicinity.

Mr. and Mrs. Erick G. Johnson were Sunday evening visitors in the Russell Johnson home near Wayne.

Mr. and Mrs. Walter Johnson, Sheryl and Kurt were Sunday afternoon and supper guests in the Jack Rethwisch home, Carroll.

Lloyd Hugelman spent the weekend in the Bill Hugelman home, Winner, S.D., and was an Omaha visitor Monday.

Mr. and Mrs. Charles Pierson were Tuesday afternoon coffee guests of Ruth Nelson, Sioux City.

Mr. and Mrs. Harry Hinnech, Portola, Calif., were houseguests in the Walter Johnson home from Tuesday until Saturday.

Mr. and Mrs. Walter Otto and Sandy and Mr. and Mrs. Lloyd Carlson and family, Uehling, were entertained at dinner in the Roy

noon. The ladies made plans for 1956. Mrs. Beckenhauer is the retiring leader.

Floyd Johnson was hospitalized Thursday and Friday.

Mr. and Mrs. Kenneth Schroeder and children brought homemade ice cream to the Walter Otto home Monday evening and helped Sandy celebrate his birthday.

Mr. and Mrs. Dale Kinney were Saturday evening visitors in the Walter Otto home.

Mr. and Mrs. Paul Obermeyer and family, South Sioux City, were Monday afternoon and supper guests in the Harry Oak home. The Donald Kai family were evening visitors.

Mr. and Mrs. Glenn Jenkins, Norfolk, were guests at the William Knoll and Art Aaker homes Sunday. Brenda Jenkins spent the day at the Burr Davis home.

Glen Houdersheid and Glenn were in Sioux Falls, S. D., Saturday on business.

Weekend guests in the George Johnson home, Spencer, Ia., were Mr. and Mrs. George Noakes.

Mrs. Robert Levin and children, Hayward, Calif., returned home Friday after visiting in the Basil Osburn home.

Mrs. Fern Sund and Michael plan to join friends at Norfolk to spend the weekend at Lincoln.

Mr. and Mrs. John Grier, Laurel, were last Tuesday afternoon guests in the Ray Perdue home.

Wednesday afternoon guests were Mr. and Mrs. Lavern Kavanagh and daughter, Mrs. Mae Lower and Mary Martinson were Thursday afternoon callers.

Jean Fork, Orillon Stahl, Phyllis Sully and Kenneth Taylor, Mason City, Ia., visited in the Kermit Fork home over the weekend.

Mrs. Mary Schulte entertained Mr. and Mrs. Victor Kniesche, Jr. and daughter and Mr. and Mrs. Victor Kniesche and Gerald at Sunday dinner.

Mr. and Mrs. Allan Perdue and family were last Sunday evening guests in the Ralph Austin home.

Mrs. Luella Peck, Wakefield, and Henry Bush were Saturday afternoon guests in the Ray Perdue home.

## 'I See by The Herald'

Items about Wayne folks you know

# Always Lower Prices... at COUNCIL OAK STORES



**WITH HIGH QUALITY!**

**DROMEDARY ANGEL FOOD CAKE MIX** PER PKG. **35c**  
(LIMIT 2 PKGS. PLEASE)

**U. S. Graded "Choice" Beef CHUCK ROASTS**  
POUND, 39c AND

**35c**



PRICES FOR JAN. 12, 13, 14 QUANTITY RIGHTS RESERVED!

**TV Special**  
PRICE GOOD THRU JAN. 19TH

**SWEET JUICY BLUE GOOSE ORANGES**  
FINEST CALIFORNIA NAVAL VARIETY  
DOZ. **39c**

**BEEF RIB BOIL** 2 LBS. 29c  
**BONELESS CUBED BEEF STEW MEAT** LB. 49c

**Only One Grade THE VERY BEST GROUND BEEF**  
3 LBS. **89c**

**SWIFT'S ORIOLE SLICED BACON**  
1-LB. PKG. **29c**

**SWIFT'S ESSEX SUMMER SAUSAGE**  
LB. **49c**

**PURE PORK SAUSAGE**  
2 LBS. **33c**

**U. S. Graded Choice BEEF STEAKS** SIRLOIN, RIB LB. **49c**

**TEXAS YOUNG TENDER CARROTS** LARGE CELLO BAG **10c**

**FLORIDA, PLUMP, JUICY GRAPEFRUIT** 96 SIZE FOR **10c**

**TASTE O' SEA QUICK FROZEN PERCH FILLETS**  
1-LB. PKG. **29c**

**RED PONTIAC POTATOES "GOOD COOKERS"**  
10 LBS. **33c**

**CRISP, FRESH HEAD LETTUCE**  
2 LARGE HEADS **33c**

**SUPERS ROYAL ANNE CHERRIES** NO. 303 CAN. **27c**  
**BILLY BOY JELLY** 24-oz. jar **33c**  
**DEVIL'S DELIGHT COOKIES** 1-LB. BAG **29c**  
**ROBB-ROSS PANCAKE FLOUR** 3 1/2 LB. BAG **39c**  
**OHIO FLORAL DESIGN BOOK MATCHES** 2-CAN. **29c**

**BONNELLE'S SPAGHETTI**  
NO. 300 CAN **10c**

**COUNCIL OAK COFFEE** (SAVE THE BAGS TO GET AN ELECTRIC COFFEE PERCOLATOR) RICH IN FLAVOR HIGH IN VALUE 1-LB. BAG **69c**

**CRISCO** 1-LB. CAN. 34c  
**OXYDOL**, LARGE PKG. 32c  
**TIDE**, LARGE PKG. 29c  
**CHEER**, LARGE PKG. 29c  
**DREFT**, LARGE PKG. 31c  
**SPIC AND SPAN**, 1-LB. PKG. 27c  
**CAMAY SOAP**, REG-3 FOR 27c, BATH 2 FOR 27c  
**JOY**, 7-oz. BOTTLE. 31c

Imported Pitted **DATES** 2-lb. bag **45c**

Salad Bowl **Salad Dressing** qt. jar **35c**

Fresh Roasted **PEANUTS** lb. **35c**

## STOCK UP ON THESE Specials

**KRAFT CARAMELS**, 1-lb. cello 43c  
**KRAFT DINNERS** 2 for 33c

**All-Purpose Oil**, qt. 71c  
FREE—16-oz. Measuring Cup

**Whiting** 10 lb. box **125c**

Pure Fresh **Ground Beef** 3 lbs. **85c**

Swift Brookfield **Link Sausage** lb. **39c**

Swift Sweet Rashier **BACON** lb. cello **29c**

Sunshine **KRISPY CRACKERS**, 2-lb. box 53c

Linda Lee **Tomatoes** 2 for **27c** 303 cans

Golden Orchard Hall **Freestone Peaches** **33c** No. 2 1/2 can Heavy Syrup

**All.** 5-lb. ctn. **\$1.09**  
For Your Automatic Washer

**Oranges** 15 for **35c**  
For Juice

White **Grapefruit** 10 for **47c**

**CITY GROCERY**  
We Deliver—10 a.m. and 4 p.m. Daily  
214 Main Phone 355

WAKEFIELD

Salem Church Slates Sunday Installation of New Trustees

Installation of new board of trustees members is scheduled at Salem Lutheran church Sunday morning.

Society

PED Chapter PEO met with Mrs. W. L. Byers Monday evening.

Eastern Star Eastern Star met Tuesday evening in the Masonic hall.

St. John's Aid St. John's Aid society met Friday afternoon in the church parlors.

Walther League St. Paul's Walther League met Thursday evening.

Salem Dorcas Salem Dorcas society met Thursday in the church.

WATKINS DRY DIP FOR LIVESTOCK TILLIE HARMS 705 Pearl Wayne Phone 122

Hugelman, Mrs. Harold Donelson and Mrs. Harold Johnson.

Salem Luther Ann's Salem Luther Ann's met Sunday afternoon in the church.

Salem Couples Club Salem Couples club met Sunday evening with Mr. and Mrs. Dale Anderson.

SOS Club Mrs. C. R. Fischer entertained SOS club Friday afternoon.

Mr. and Mrs. Ivar Carlsson, Beth and Terry, and Dick Laue.

Minneapolis Minneapolis entertained friends at a luncheon.

Both Carlsson will leave Jan. 15 for Los Angeles.

Mr. and Mrs. Bill Stalbaum, Ponca, were dinner guests Friday.

Mr. and Mrs. George Grimm visited Tuesday in the Floyd Quimby home.

Mr. and Mrs. Art Malum, Dennis and Ruth, Mr. and Mrs. George Grimm and Audrey, Mr. and Mrs. Virgil Green and family, Warren Fatefield and Mr. and Mrs. Wes

Wakefield Bowling... Scratch League w 1 Melodee Lanes 31 164 Fair 28 20 Wagner-Garrison 27 204 Fregrickson 26 22 Wakefield Furniture 26 22 Donelson 20 28 Equitable 18 30 International 15 33 Handicap League w 1 Uptowners 48 46 Stauffer 38 26 Briscoe Schenk 37 27 Salmon 37 27 Blue Bunny 34 30 All Stars 33 31 Farm Supply 32 32 World Herald 32 32 Legion 32 32 Flyers 31 33 Postoffice 30 34 Farmers Union 27 37 Dick's Tavern 234 40 NE Nebr. RPPD 134 503 High scores: All Stars, 921 and 2622; Jack Kinney, 226; Ray Murray, 557.

REPORT OF CONDITION OF The First National Bank of Wayne In the State of Nebraska At the Close of Business on December 31, 1955 Assets: Cash, balances with other banks, including reserve balance, and cash items in process of collection \$11,255.17 United States Government obligations, direct and guaranteed 568,156.25 Obligations of States and political subdivisions 307,908.78 Corporate stocks (including \$4,500.00 stock of Federal Reserve Bank) 4,500.00 Loans and discounts 888,333.33 Bank premises owned \$1,600.00, furniture and fixtures \$3,360.00 (Bank premises owned are subject to no liens no liens not assumed by bank) 4,960.00 TOTAL ASSETS \$2,810,779.26 Liabilities: Demand deposits of individuals, partnerships, and corporations \$3,046,268.35 Time deposits of individuals, partnerships, and corporations 135,033.10 Deposits of United States Government (including postal savings) 26,873.94 Deposits of States and political subdivisions 317,315.99 Deposits of banks 10,170.09 Other deposits (certified and cashier's checks, etc.) 14,558.29 TOTAL DEPOSITS \$2,550,219.76 Capital Stock: Common stock, total par \$50,000.00 Surplus 150,000.00 Undivided profits 44,559.50 Reserves (and retirement account for preferred stock) 16,000.00 TOTAL CAPITAL ACCOUNTS \$260,559.50 TOTAL LIABILITIES AND CAPITAL ACCOUNTS \$2,810,779.26 Memoranda: Assets pledged or assigned to secure liabilities and for other purposes \$415,000.00

I, L. B. McClure, Cashier of the above-named bank, do solemnly swear that the above statement is true to the best of my knowledge and belief. L. B. McClure, Cashier CORRECT- ATTEST: Adon Jeffrey, Walter Ebenack, Burr R. Davis, Directors. State of Nebraska, County of Wayne, ss: Sworn to and subscribed before me this 6th day of January, 1956, and I hereby certify that I am not an officer or director of this bank. L. W. Ellis, Notary Public. My commission expires March 1st, 1956.

Anderson and family were Sunday evening guests in the Charles Malum home in observance of the birthday of the hostess.

Mr. and Mrs. Albert Anderson were Saturday evening guests in the Will Kahl home in belated observance of the hostess' birthday.

Sunday evening lunch guests in the Clarence Hlom home were Mr. and Mrs. Albert Anderson and Evonne, Mr. and Mrs. Joe Erickson and Mr. and Mrs. Melvin Lundin.

Mr. and Mrs. Otto Nelson and Mr. and Mrs. Martin Holmberg were Sunday guests in the Tom Johnson home, Albion.

Mr. and Mrs. Ed Sandahl and Mr. and Mrs. John Bressler were Sunday dinner guests in the Ben Fredrickson home.

Reynold Anderson took Mrs. Emerson Swanson, LaCrescenda, Calif., who came to attend the funeral of their mother, Mrs. Oscar Swanson, Tuesday, left for home Friday.

Mr. and Mrs. Ray Halgren, Omaha, were Sunday guests in the Rutherford Nimrod home.

Mr. and Mrs. Clarence Martin, Wahoo, were weekend guests in the Jerome Pearson home.

Rev. and Mrs. Melvin Pederson were Belden visitors Monday.

Mrs. Emory Erlander and Mrs. Ebba Swanson, LaCrescenda, Calif., who came to attend the funeral of their mother, Mrs. Oscar Swanson, Tuesday, left for home Friday.

Mr. and Mrs. Lyle Altman, Wilber, were weekend guests in the Gene Warner home.

Mr. and Mrs. George Borg and Tom and Mr. and Mrs. Clair Anderson and Donley went to Omaha Sunday morning where Tom and

Churches... Salem Lutheran Church (C. Wald Carlsson, pastor) Thursday, Jan. 12: Senior choir practice, 8 p. m. Friday, Jan. 13: Junior choir practice, 4:30 p. m. Saturday, Jan. 14: Senior confirmation class, 9 a. m.; worship, 11; Luther League, 7:30 p. m. Monday, Jan. 16: Deacons meet, 7:30 p. m.; board of administration, 8:30. Wednesday, Jan. 18: Midweek Bible study, 8 p. m. Eng. St. John's Lutheran Church (Samuel Meske, pastor) Friday, Jan. 13: Sunday school teachers meet, 8 p. m. Saturday, Jan. 14: Saturday school, 9:30 a. m. Sunday, Jan. 15: Sunday school and Bible classes, 10 a. m.; worship, 10:45. Tuesday, Jan. 17: Senior choir rehearsal, 8 p. m. Christian Church (Merlin Wright, pastor) Thursday, Jan. 12: Youth council, 4:10 p. m.; Bible school officers and teachers meet, 7:30. Saturday, Jan. 14: Church board, 7:30 p. m. Sunday, Jan. 15: Bible school, 10 a. m.; communion and worship, 11; evening service, 7:30 p. m. St. Paul's Lutheran Church (Harold Kieck, pastor) Thursday, Jan. 12: Ladies aid, 2 p. m. Saturday, Jan. 14: Confirmation classes, 9:30 a. m. Sunday, Jan. 15: Sunday school and Bible classes, 10 a. m.; divine worship, 10:45; Walther league darbtall, 2 p. m. Presbyterian Church (Archie Marston, pastor) Thursday, Jan. 12: Potluck supper and congregational meeting, 6:30 p. m. Sunday, Jan. 15: Sunday school, 10 a. m.; worship, 11. Mission Covenant Church (Melvin O. Pederson, pastor) Thursday, Jan. 12: Bible study and prayer service, 7:30 p. m.; choir practice, 8:30. Saturday, Jan. 14: Confirmation class, 1:30 p. m. Sunday, Jan. 15: Sunday school, 10 a. m.; worship, 11; evening service, 7:30 p. m. Thursday, Jan. 19: Young people's group and Junior league.

NOTICE ANNUAL MEETING of the Wayne County Noxious Weed District The annual meeting of the WAYNE COUNTY NOXIOUS WEED DISTRICT will be held at the REA Building at Wayne, Nebraska TUESDAY Jan. 17, 1956 at 1:30 p.m. as provided in Section 2-924 C.S. Supp. 1945 The purpose of the meeting shall be to discuss general plans for the operation of the district, hold election of supervisors and any other business that may come before the meeting. Dwight Lambert, chief of the State Noxious Weed Division will be present to show slides on weed control.

WAKEFIELD NEWS

By Mrs. George Grimm-Atlas 7-2756

Donley took a bus for San Diego, Calif., after spending their full day in Wakefield.

W. C. Stoner, Sr., Stockton, Calif., will spend January with his son, W. C. Stoner and family.

School Group Meets Wednesday at Waterbury Dixon County Schoolmen's association met Wednesday evening in the Watahwa auditorium.

Mr. and Mrs. Clarence Martin, Wahoo, were weekend guests in the Jerome Pearson home.

Mr. and Mrs. Clarence Martin, Wahoo, were weekend guests in the Jerome Pearson home.

Mr. and Mrs. Lyle Altman, Wilber, were weekend guests in the Gene Warner home.

Mr. and Mrs. George Borg and Tom and Mr. and Mrs. Clair Anderson and Donley went to Omaha Sunday morning where Tom and

Lubberstedt, Mr. and Mrs. Don Olson, Mr. and Mrs. Kenneth Schroeder, Mr. and Mrs. Dale Kinney and Mr. and Mrs. Alden Backstrom.

Mr. and Mrs. Alfred Meier were Sunday afternoon callers in the Will Driskill home.

Mr. and Mrs. Albert Sundell, Mr. and Mrs. Carl Sundell and Mr. and Mrs. Joe Johnson were Sunday dinner and supper guests in the E. W. Lundahl home.

Mr. and Mrs. Ted Jones were Sunday dinner guests of Mr. and Mrs. Lester Samelson, Hartington.

Mr. and Mrs. Kenneth Baker called on Mrs. Hans Wagner and Mrs. John Rirze in the Wakefield hospital Wednesday.

Mr. and Mrs. Lloyd Fischer and family, Lincoln, and Mr. and Mrs. Ben Dunn, Pensacola, Fla., were Monday dinner guests of Mrs. C. K. Herber at the Paul, Lorence, Francis and Melvin Fischer families and Mr. and Mrs. Ron Harding and family were afternoon guests honoring the visitors.

Mr. and Mrs. William Bartelman, Wisner, Mr. and Mrs. Harvey Larson, Mrs. Martha Froyert and Mrs. Free Lubberstedt, Wayne,

Mrs. Clara Baker and Mrs. John Schroeder and Alice were callers last week in the Henry Bartelman home.

Mr. and Mrs. Sam Larson, Pender, were Sunday guests in the Rossi Wheeler home.

Mr. and Mrs. George Anderson were Sunday dinner guests in the Marvin Miner home.

Mr. and Mrs. Ernest Packer were dinner guests Sunday in the Wallace Ring home.

Mr. and Mrs. Wallace Ring attended open house at the Pender hospital Sunday afternoon and afterward called on Mrs. Frank Parker.

Mr. and Mrs. Fred Lee arrived Tuesday for a short visit in the J. H. Montgomery home.

Mr. and Mrs. William Thomsen went to Emerson Sunday to attend a shower honoring Dorothy Thomsen.

Mr. and Mrs. William Thomsen were Sunday dinner guests in the Henry Brinkman home and were evening callers in the Carl Dersch home.

Mr. and Mrs. George Borg and Tom and Mr. and Mrs. Clair Anderson and Donley were supper guests Thursday in the Kenneth Schroeder home.

Mr. and Mrs. Lawrence Graffis were Sunday evening callers in the Clair Anderson home.

Beverly and Charlotte Baker, Jackie Slutz and Mark and Herman Utech were Sunday supper guests of Gayle Utech.

Wesminster Federation Installs New Officers

Presbyterian Westminster federation met in the church parlors Thursday Mrs. Byron Busby presided and conducted devotion.

Rev. Archie Marston introduced the speaker, Rev. Vernon Richards, director of Christian education for the Synod of Nebraska.

Mrs. Busby conducted a business meeting. Reports of the work of the past year were given.

Rev. Marston installed the officers for the coming year: Mrs. Byron Busby, Mrs. Reuel Swanson, Mrs. Gordon Pressler and Mrs. Ted Jones, executive committee, Mrs. Ed Schnase, secretary, and Mrs. Harry Larson, treasurer. New officers served.

Mr. and Mrs. Otto Koch, Winnsboro, were dinner guests Saturday in the Lloyd Anderson home.

Mrs. Martha Strains attended the funeral of Delbert Grader in Emerson Saturday.

Karen Hennickson and Vera Pearson returned to Mankato, Minn., Sunday after spending holiday vacation with their parents.

A group of friends observed the birthday of Mrs. Walter Cudson in the Carl Hank home Saturday.

Mr. and Mrs. George Lundin and Gary called Sunday afternoon in the Morris Thomsen home.

Mr. and Mrs. Fred Lundin spent the weekend in the Mrs. F. M. Claeson home, Omaha.

IGA DOLLAR DAYS SAVE MORE... as you BUY MORE Enjoy Bigger Savings Everyday! SUNNY MORN COFFEE TUNA 3 cans \$1 TISSUE 3 pkgs. \$1 PEACHES 3 cans \$1 CATSUP 6 btl. \$1 TOMATO SOUP 9 cans \$1 TISSUE 2 for 57c PEANUT BUTTER 57c SAUSAGE 35c





Joan Gade Weds Daryl Johnson Sunday Afternoon

Laurel—Joan Gade, daughter of Mrs. and Mr. Gade, and Daryl Johnson, son of Mr. and Mrs. Harry Johnson, were married Sunday afternoon in Gethsemane Lutheran church.

Rev. J. H. Tennessen officiated. Shari Crandall sang "The Wedding Prayer" and "The Lord's Prayer." Accompanist was Mrs. Vernice Gade.

The bride, given in marriage by her father, wore a ballerina nylon gown of chantilly lace and nylon acetate, featuring a Peter Pan collar, six oyster lace covered buttons at the neck and long sleeves tapering to points over her hands.

The skirt was fashioned with alternating rows of ruffled lace and net. Her veil of illusion net fell from a nylon pleated tiara edged with seed pearls. She wore a single strand of pearls a gift from the bridegroom, and carried red roses on a white Bible.

Mrs. Gary Johnson, sister of the bride, was matron of honor. She wore a strapless gown of pink net and lace topped with a pink jacket. Her headband was of pink carnations, surrounded by white chrysanthemums.

The bridegroom wore a white business suit, Milo Johnson, brother of the bride, was best man. He wore a blue business suit. Both had white carnation boutonnières.

Colleen Stingley was ringbearer. Nina Johnson was flower girl. They wore identical dresses of pink crystalite and wore head and wrist bands of pink carnations. Bernard Peterson was usher.

Mother of the bride chose a dusty rose dress with white accessories. The bridegroom's mother wore a tan suit with black accessories.

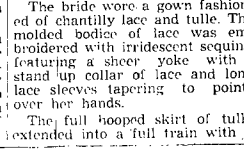
Janice Anne Lisle And Marvin Hartman Have Dixon Wedding

Dixon—Janice Anne Lisle, Dixon daughter of Mr. and Mrs. Frank L. Lisle, and Marvin E. Hartman, Ponca, son of Mr. and Mrs. Ellis Hartman, were married Dec. 25 in the Dixon Methodist church.

Rev. Harold Bonath officiated at the double ring ceremony. Mrs. Dale Davidson and Mrs. Rex Candlish were bridesmaids.

The bride graduated from Laurel high school and Sioux City school of cosmetology. She has been employed at a Laurel beauty shop since her graduation. The bridegroom graduated from Laurel high school and is engaged in farming.

After a short wedding trip to Iowa they plan to continue farming.



—Picture by Wayne Photo

Nancy Hoile Wed To Lt. Rice In Edgefield, S. C.

Mr. and Mrs. Donald M. Hoile are announcing the marriage of their daughter, Nancy Marie, to Lt. John David Rice Jr., son of Dr. and Mrs. John D. Rice, Sr., Wayne, the couple were married Dec. 24 at Edgefield, S. C.

The bride graduated from Norfolk high school and the University of Nebraska, where she was affiliated with Delta Delta Delta sorority. She is now teaching in the Lincoln public schools.

The bridegroom graduated from the University of Nebraska where he was affiliated with Sigma Alpha Epsilon fraternity and is now stationed with the Army at Camp Gordon, Ga. The bride will join her husband at the completion of the school term.

The full hooped skirt of tulle extended into a full train with a

Weddings . . .

wide band of lace at the bottom. Her veil of sheer illusion fell from a crown tiara of pearls. She wore a bride of pearls gift from the bridegroom and carried a white orchid on a white Bible.

Maid of honor was Joy Hartman, sister of the bridegroom, Ponca. Dorothy Peterson was bridesmaid. Everet Lisle, Laurel, brother of the bride, was best man. Charles Landholm, Uehling, was groomsmen. Ushers were Dale Davidson and Harold Curry.

Candlelighters were Frank Daws, nephew of the bride, and Jimmy Kvols. Charlotte Kvols, niece of the bride, was ringbearer. Deborah Daws, niece of the bride, was flower girl.

A reception was held in the church parlors. Hostess was Mrs. Dick Chambers. Mrs. Jens Kvols and Mrs. Art Daws, sisters of the bride, poured. Mrs. Matt Stapleton did the wedding cake. Beverly Hartman, sister of the bridegroom, was in charge of the gifts. Waitresses were Marlene and Melva Kvols and Norma Peterson. Ladies who served were Mrs. Lester Troth, Mrs. Chester Ankeny, Mrs. Glen Mackleim and Mrs. Milton Peterson.

The bride wore a gown of chantilly lace and tulle. The bridegroom wore a tan suit with white accessories for her going-away ensemble.

The bride attended WSTC and is now teaching in Concord. The bridegroom attended WSTC served two years in the Armed Forces and is now teaching near Newcastle.

After a trip through the south the couple will be at home on a farm near Dixon.

Arlene Mattes And Willis Schultz Wed At Martinsburg

Dixon—Arlene M. Mattes, Dixon daughter of Mr. and Mrs. Fred J. Mattes, and Willis E. Schultz, Ponca son of Mr. and Mrs. Fred T. Schultz, were married Dec. 27 in a candlelight ceremony at Trinity Lutheran church, Martinsburg.

Rev. A. Hinz officiated at the double ring ceremony. Jeanene Stalbaum sang "O Perfect Love" and "The Lord's Prayer." Mary Rahm was accompanist.

The bride wore a gown of chantilly lace and tulle over bridal satin. The lace bodice featured a

portrait neckline, sequin embroidery and a satin cummerbund. The full hooped floor length skirt of tulle featured a lace pleatum. Her veil of sheer illusion fell from a pillbox crown of sequins. She wore a pearl necklace and earring set, a gift from the bridegroom, and carried a cascade arrangement of white roses on a white prayer book with satin streamers.

Maid of honor was Mrs. Yvonne Lichtenberg, Norfolk. Bridesmaid was Louise Mattes, sister of the bride. Martin Bloom, Allen, was best man. Groomsmen were George Schultz, Lincoln.



—Picture by Wayne Photo

Eleanor Likes and Harold Wennekamp Wed at Emerson

Eleanor Likes, daughter of Mr. and Mrs. Harold Likes, Waterbury, and Russell E. Wennekamp, son of Mr. and Mrs. Carl Wennekamp, Emerson, were married Dec. 23 at a candlelight service in St. Luke's Lutheran church, Emerson.

Rev. Clarence Allrander officiated at the ceremony. Mrs. Duane Hollman was soloist. Mrs. Derce Frey was organist.

The bride wore a gown of net over white tulle. She wore a fingertip veil and carried a bouquet of red carnations. Mrs. Margie Likes, sister of the bride, was maid of honor. She wore a waltz length gown of peacock blue. Her bouquet was of yellow chrysanthemums.

Best man was Duane Evans. Oliver Likes and a friend of the bride acted as groomsmen. Louise flower girl. Leon Krusemark was ring bearer and Yvonne Krusemark was candlelighter.

A reception was held in the church parlors.

DeLore Karlberg and Leo Thornton Wed In Wakefield Church

DeLore Coleen Karlberg, daughter of Mr. and Mrs. Albert Karlberg, Wakefield, and Leo Charles Thornton, son of Mrs. Hazel Thornton, Omaha, were married Sunday afternoon in Wakefield Christian church.

Rev. Merlin Wright officiated at the double ring ceremony. Pews were decorated with large shrimp bouquets and turquoise carnations. Palm fronds, large baskets of white pompons and gladioli and candles adorned the scene. Larry Johnson sang "Because" and "The Lord's Prayer." Merle Ring was accompanist.

The bride, given in marriage by her father, wore a gown of nylon tulle and nylonbrocade over bridal satin. The molded bodice featured a sheer yoke, short sleeves and matching gantlets.

The full scooped skirt had a sweep train and was fashioned with graduating bands of lace applique. Her imported veil of silk illusion fell from a hat of illusion, edged with side clusters of white violets. She wore a three-strand pearl choker and earrings, gifts of the bridegroom, and carried a bouquet of white roses.

Mrs. Per Pearson, sister of the bride, was matron of honor. DeLore Thornton, Denver, sister of the bridegroom, was bridesmaid. They wore identical waltz length gowns of turquoise crystalite, fashioned with fitted bodices, halter necklines and shrug jackets. They wore matching satin headbands, white gloves, and carried bouquets of shrimp carnations.

Best man and groomsmen were Robert Donahue and Homer Bennett, Sioux City.

Deborah Kropp, Emerson, cousin of the bride, was flower girl. She wore a white floor length gown and wore a wreath of flowers in her hair. Dallas Pearson, nephew of the bride, was ringbearer. He wore navy trousers and a white jacket.

Mother of the bride chose a navy wool dress with white accessories and had a pink carnation corsage. Because of illness, the bridegroom's mother was unable to attend.

The wedding reception followed in the church parlors using the bride's colors of shrimp and turquoise. Mrs. Jennie Kropf, Emerson, cousin of the bride, poured. Mrs. Ray Alts, Rushmore, Minn., cut the cake. Beth Carlson served ice cream.

Waitresses were Shirley Wiggins and Marilyn Packer. Mrs. Harold Wedemore, Canton, Minn., had charge of the guest book. Mrs. Darrel Wedemore and Mrs. Robert Wedemore, Sioux City, were in charge of gifts. Mrs. Pearson sang

WAKEFIELD Hospital Notes

Admitted: W. E. Wingett, Belvidere; Mrs. I. J. Enke, Emerson; Mrs. Donald Schneider, Allen; Henry Lars, Allen; Mrs. Edith Besshart, Laurens; Mrs. Arnold Victor, Wayne; Mrs. Harold Oberg, Wakefield; Floyd Johnson, Pender; Ralph Getzemer, Omaha; Mrs. John Ritze, Wayne; Ronald Larson, Allen; Donald Love, Wayne; Mrs. Joe Helgren, Wakefield; Mrs. Edwin Fahrenholz, Allen; Debbie Kuhl, Dixon; Mrs. D. P. Quimby, Wakefield; Richard Connell, Allen; Mrs. DeLores Maquire, Wakefield; Mrs. Milo Johnson, Laurel; Mrs. Clarence Mommich, Emerson; Mrs. Don Frink, Wmsted; Mrs. Anna Strickert, Wakefield; Mrs. William Norvell, Laurel; Mrs. Ivan Jones, Wayne; Mrs. James Jones, Allen; Roxey Bard, Wakefield; Mrs. Adolph Modlan, Allen.

Dismissed: Mrs. Maurice Moser, Emerson; Mrs. John Erickson, Wakefield; Ruby Miner, Wakefield; Mrs. Jack Ellis, Dakota City; Mrs. Edith Boeshart, Laurel; Billy Mattis, Wakefield; Mrs. Vernon Madson, Laurel; Floyd Johnson, Pender; Ronald Larson, Allen; Baby Dounnik, Thurston; Mrs. Waunita Wagner, Bloomfield; Debbie Kuhl, Dixon; Mrs. Harold Oberg, Wakefield; Donald Love, Wayne; Henry Lars, Allen; Mrs. John Ritze, Wayne; Mrs. Donald Schneider, Allen.

After a short wedding trip the couple will make their home in Martinsburg.

The bride graduated from Allen high school and attended WSTC. She now teaches in a rural school near Dixon. The bridegroom graduated from Allen high school, served in the Army, 16 months in Germany, and is now farming near Martinsburg.

After a short wedding trip the couple will make their home in Martinsburg.

The bride wore a gown of chantilly lace and tulle over bridal satin. The lace bodice featured a

portrait neckline, sequin embroidery and a satin cummerbund. The full hooped floor length skirt of tulle featured a lace pleatum. Her veil of sheer illusion fell from a pillbox crown of sequins. She wore a pearl necklace and earring set, a gift from the bridegroom, and carried a cascade arrangement of white roses on a white prayer book with satin streamers.

Maid of honor was Mrs. Yvonne Lichtenberg, Norfolk. Bridesmaid was Louise Mattes, sister of the bride. Martin Bloom, Allen, was best man. Groomsmen were George Schultz, Lincoln.

Deborah Kropp, Emerson, cousin of the bride, was flower girl. She wore a white floor length gown and wore a wreath of flowers in her hair. Dallas Pearson, nephew of the bride, was ringbearer. He wore navy trousers and a white jacket.

Mother of the bride chose a navy wool dress with white accessories and had a pink carnation corsage. Because of illness, the bridegroom's mother was unable to attend.

The wedding reception followed in the church parlors using the bride's colors of shrimp and turquoise. Mrs. Jennie Kropf, Emerson, cousin of the bride, poured. Mrs. Ray Alts, Rushmore, Minn., cut the cake. Beth Carlson served ice cream.

Waitresses were Shirley Wiggins and Marilyn Packer. Mrs. Harold Wedemore, Canton, Minn., had charge of the guest book. Mrs. Darrel Wedemore and Mrs. Robert Wedemore, Sioux City, were in charge of gifts. Mrs. Pearson sang

'I See by the Herald'

Mr. and Mrs. Don Johnson, Douglas and Dallas, and Mr. and Mrs. Fred Rieber were dinner guests in the Wilber Baker home, Concord, Sunday.

Visitors in the Fred Rieber home Saturday were Mr. and Mrs. Don Johnson and sons; Mr. and Mrs. Milford Rieber and sons, Allen and Mr. and Mrs. Lloyd Rieber and family.

Lettie Scott left Monday with Mitty Y. Scott, Chicago, and Mr. and Mrs. J. H. Stoutemyer, Kearney, to spend a month in Florida. The ladies are sisters.

Mr. and Mrs. Mark Tietfort will be supper guests at the David Ingalls home Saturday night.

Mrs. Bessie Davidson entertained Darrell Davidson, Dixon at a Sunday dinner.

Mr. and Mrs. Don Fey and daughter, Ponca, and Mr. and Mrs. Frederick Niemann were Sunday guests in the Lizzie Lobing home. Mr. and Mrs. Alan Cross and family were weekend guests in the Henry Wesloch home.

Mr. and Mrs. H. W. Kugler and Mr. and Mrs. Bill Kugler were Sunday evening callers in the home of Rev. and Mrs. H. J. Dickhoff, Pierre.

Monday evening dinner guests in the Bill Kugler home were Mr. and Mrs. Dick Logash and Kevin. Mr. and Mrs. Earl Nielsen and children, Coleburg, visited Mrs. John Goshorn Monday afternoon. Mr. and Mrs. Harold Quinn, Winslow, were evening callers.

Local Farmers Receive Massey-Harris Combine Checks



Checks for 5% interest on Massey-Harris combines purchased this fall for spring delivery were presented Saturday to two local farmers by NUW Farm Implement Co.

Heinie Wehrer, left, is shown presenting a check to Ernest Geewe, while Ed Nissen, right, gives a check to Edwin Vahlkamp.

Massey-Harris will pay 5% interest from date of order to Aug. 1 on any cash paid in, plus interest on cash trade-in value of used combine.

NUW Farm Implement Co.

209 S. Main Phone 146 Wayne

COUNTY TREASURER'S SEMI-ANNUAL REPORT

WAYNE COUNTY, NEBRASKA

Receipts and Disbursements from July 1, 1955 to December 31, 1955, Incr.

Table with columns for Receipts, Disbursements, and Balances. It lists various funds such as State General Fund, County Road, School Districts, and various taxes. Total receipts are \$1,373,953.31 and total disbursements are \$766,104.09.

I, Leona Baide, County Treasurer of Wayne County, Nebraska, being first duly sworn, do say that to the best of my knowledge, the above is a true and complete report of all funds on hand, collected and paid out by me, from July 1, 1955 to December 31, 1955, inclusive.

LEONA BAIDE, County Treasurer. Signed and sworn in my presence this 9th day of January, 1956. C. A. BARD, County Clerk.

—Picture by Wayne Photo

Advertisement for Oldsmobile featuring a 1956 Super 88 Holiday Coupe. Text includes 'DRIVE IT!', 'PRICE IT!', and 'OWN IT!'. The ad promotes the 'Intagrille Bumper' design and mentions 'Coryell Auto Co. - 112 East 2nd St.' and 'DAN DAILEY STARS IN A GAY NEW 90-MINUTE MUSICAL COMEDY FOR OLDSMOBILE'.



# Shoes

By Mrs. Martin Madsen  
Phone 48-R14, Rapidolph

Mr. and Mrs. Elmer Letting were Sunday evening visitors in the Lutz Kuhl home.

Mr. and Mrs. Charlie Peters and family, Pierce, and Mr. and Mrs. Lyle Peters and family, Carroll, spent Sunday in the Otto Peters home.

Mr. and Mrs. Martin Madsen left early Wednesday morning for Midland, Tex., to visit in the home of their son, Claron and family.

Mrs. Melvin Ehrhardt was a business caller in Wayne Thursday afternoon.

Mr. and Mrs. Donald Winkelbauer were called to Hastings

Wednesday by the sudden death of the former's father, Joe Winkelbauer. Funeral rites were held at Hastings Saturday morning.

Mr. and Mrs. Alex Eddie and Dorothy were Saturday evening callers in the Melvin Ehrhardt home.

Mr. and Mrs. V. G. McFadden were Sunday dinner guests in the Lloyd McFadden home near Randolph.

Mrs. Dora Staben left Friday for a visit at Sidney.

Mr. and Mrs. Thomas Craven spent Thursday afternoon in the Charlie Craven home, Randolph.

Mr. and Mrs. Don Kuhl and Mrs. Isidor Kuhl, Randolph, drove to Omaha Saturday to spend the day with Isidor Kuhl, who is a patient in St. Joseph's hospital. They returned home Sunday.

Mr. and Mrs. Chris Sohn, Mrs. Nellie Orr and Mrs. Minnie De-

# THE WAYNE HERALD

Vol. 81 — No. 36 Wayne, Nebraska, Thursday, January 12, 1956 .Sec. 2 — Pages 1 to 8

## WILBUR

By Staff Correspondent

Forest, South Sioux City, and Mrs. Minnie Eddgard, California, were Sunday guests in the Charlie Sohn home.

Mr. and Mrs. Roley Isom drove to Osmond Friday afternoon to see their daughter, Mrs. Harold Burris, Laurel.

Mr. and Mrs. Leonard Gunn, Norfolk, spent Saturday evening in the Roley Isom home.

The following relatives of Mr. and Mrs. Roley Isom came Wednesday evening to help Mrs. Isom and Junior celebrate their birthdays: Mr. and Mrs. Lynn Isom, Carroll; Joe Silhacek, sr., Mr. and

Eighteen guests in the Ivan Anderson home helped Sonja celebrate her birthday Friday evening.

Mr. and Mrs. Wallace Anderson were Sunday dinner guests in the Ernest Witte home, Monday dinner guests in the Carl Swanson home, Coleridge, and Thursday evening guests in the Edward Mann home to celebrate Edward's birthday.

Mr. and Mrs. Jim Miller were Sunday evening guests in the Orville Nelson home. Mrs. Dolores Meyer and children were callers Saturday morning.

Friday evening guests in the Herbert Thun home were Mr. and Mrs. George Bartels and Dougie.

Mr. and Mrs. Herbert Thun were last Wednesday evening guests in the Elmer Martinson home.

## SOUTHWEST Wayne

By Staff Correspondent

Joan Gerleman returned from the Wakefield hospital last Tuesday.

Last Monday evening supper guests in the Fred Heier, jr. home were Mr. and Mrs. Gilbert Gramberg, Norfolk.

Mr. and Mrs. Richard Miller

and Jolene were Saturday evening guests in the Bill Heier home. Mr. and Mrs. Alfred Janke were Sunday evening guests.

New Year's guests in the Robert Owens home, Bloomfield, were Mr. and Mrs. Albert Milliken, Mrs. Ed Granquist and Mr. and Mrs. George Owens, Carroll.

Mr. and Mrs. Russell Pryor were guests in the Gene O'Keefe and Gene Corey homes, Beatrice, from Thursday until Sunday.

Last Tuesday evening dinner guests in the Russell Pryor home were Mr. and Mrs. August Longe. Thursday evening guests were Mr. and Mrs. Elder Lubberstedt and family.

Mr. and Mrs. Victor Kniesche and Ranae were last Wednesday evening guests in the Herbert Gerleman home. Mr. and Mrs. Willis Meyer were Thursday evening callers. Mr. and Mrs. John

Gerleman were Thursday afternoon callers and Mr. and Mrs. Otto Gerleman were Thursday morning guests.

## Brenna

By Staff Correspondent

Mr. and Mrs. Donald Painter were New Year's visitors in the Lloyd Heath home, Homer.

Guests in the Melvin Korn home last Tuesday evening were Mr. and Mrs. Charles Franzen.

Mr. and Mrs. Fred Hurd were last Monday guests in the Marion Sherburne home, Loretto.

Thursday dinner guests in the Fredrick Janke home were Mr. and Mrs. Jim Fischer and daughters, Potter, and Mrs. Walter Randall and Sharon, South Sioux City.



**extra special Savings**

coat clearance

Nicest surprise of the new year... biggest savings, too! Special purchase of luxury coats... ready for you at low prices that are truly exceptional for coats of this quality.

Nothing Reserved! Many Suitable for Spring Wear Save Up to **1/2**

it's your lucky day!

# FRIDAY THE 13<sup>TH</sup>

All Prices in Effect Saturday Too!

Everybody is Talking about

# LARSON'S

5<sup>C</sup> Another 200 Pair Put on Sale

- Sports
- Casuals
- Novelties

This repeat offer by popular demand. Yes, we are putting out another 200 pair of Larson's quality footwear to go on our big 5c shoe sale. No strings tied to the offer. Just buy one pair at our low, low everyday price and the second pair for only a nickel.

# January WHITE SALE

great days for savings

Spring Knight Fitted SHEETS America's leading quality. Yes, Spring Knight sheets are the kind that you can buy with confidence. Known for their extra wearing qualities.

Guaranteed for 4 Years

Double Bed Size **\$1.49**

81 x 99 Flat Sheets by Springmaid Here are the flat sheets for you who like this type. Double bed size, 81x99, for just pin money during Larson's white sale. **\$1.39**

81 x 108 \$1.59

## Springdale Sheets

81 x 108

This is the pride of the Springmaid line. Famous percale sheets known as Springdale. You can buy big 81x108 size at special white sale price. **\$1.97**

72x108—\$1.87 Cases—49c

Plaid Sheet Blankets \$1.00

Cannon Towels, 20x40 44c

Stamped Pillow Cases \$1 pr.

## Heirloom Spreads

Regular \$14.95

You would nearly bet that this was a nationally known quality selling regularly at \$27.95. No, it isn't this spread, but it sure looks like it and, furthermore, it is made by the famous Bates mills. Cash in on this bargain. **\$10**

Flour Sack Squares, 30"x30" 6 for \$1

Chenille Bed Spreads \$2.50

100-lb. Flour Sacks, unopened 4 for \$1

## Girls' Winter Coats

We are cleaning the racks of all winter goods and while stocks are limited, you may be lucky Friday the 13th to find a size suitable for your little girl. If you do, they are yours for half price.

**1/2 off**

## Girls' Cotton Dresses

We have added additional quantities to this big sale of girl's beautiful cotton dresses. All sanforized shrunk. All fast color. Sizes 3 to 6X and 6 to 12.

**1/3 off**

# WOW!

Did You Ever... Buy

An \$8.95 to \$16.95

# DRESS

for only

# 5<sup>C</sup>

Yes, only a nickel. Buy one at our low regular price... the second one of equal value or less for only 5c.

- Example: Buy
- One Dress at \$8.95;
- Second One for 5c, or
- Both for Only \$9

Jumpin' Jeppers, think of it. A dress for only a nickel. That's it. Just select one at our low regular price of \$8.95 to \$16.95, pick out another one of equal value for only a nickel. Come early—avoid the stampede.

## On Friday the 13th also Saturday

We Will give away Every 7th Pair (we sell)

# "Lady Hampshire" Nylon Hosiery Absolutely FREE!

Cannon Dish Cloths 8c

Carpet Samples, 27x54 \$4.95

Regular \$9.95

# Doll Lamps

Ideal for gifts. Why not buy one now, tuck it away, and have it ready for one of those unexpected gifts you need to buy during the year. A beautiful doll lamp, equipped with a shade to match doll clothes. The shade and doll clothes can be replaced. A regular \$9.95 value going off only \$4.

**\$4.00**

## 2 for 1 Sale!

### Surprise Table

You Get 2 for the Price of One

If old man luck is with you, you will say that Friday the 13th is a lucky day at Larson's. Especially, when you look for these "goodies" on this surprise table. No, they are not the edible kind, but they are the kind of bargains that you love to find. You will find broken lots of a lot of wearable sportswear for ladies and children. Be seeing you Friday morning.

Remember to Cash in Your Sales Slips Before Jan. 31st

Ladies' Orlon Sweaters

Reg. to \$4.95

Here is a door-busting value for Friday the 13th. A cleanup of slipover and cardigan sweaters with some nylon and wool in the group. Sizes 34 to 40. All colors. **\$2.99**

# Larson's

LARSON KUHN CO.

The Wayne Herald
Serving Northeast Nebraska's Great Farming Area
10 Main St. Wayne, Nebr. Phone 130
Established in 1875; a newspaper published weekly on Thursday by Mrs. Margaret E. Cramer; entered in the postoffice at Wayne, Nebraska, as second class mail matter. Copy must be submitted by Tuesday afternoon.

NEBRASKA PRESS ASSOCIATION member
NATIONAL EDITORIAL ASSOCIATION AFFILIATE MEMBER

Copyright 1956 by The Wayne Herald, E. B. Johnson, editor. Reproduction in whole or in part strictly forbidden without written consent of The Wayne Herald. (This issue filed with the Register of Copyrights, Library of Congress, Washington 25, D. C.)

This Time of Year
This is the time of year when, by now, we have broken most all our New Year's resolutions, determined to file tax returns earlier, work a little harder and play a little more than last year.

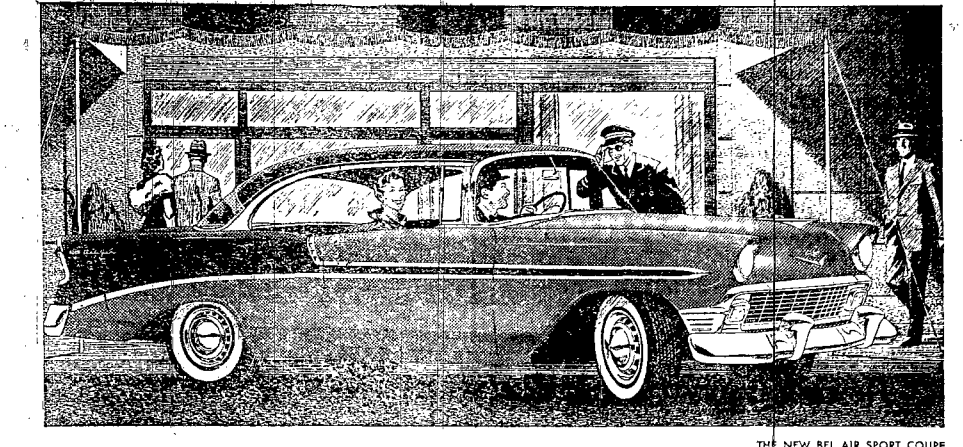
Way Back When...
It's also nearly time to start dreaming over seed and nursery catalogs, planning next summer's garden, planning next summer's vacation and sending fishing tackle in for repair.

Way Back When...
It's also time to check on the condition of last year's snow shovel and tire chains... because we know the worst of the winter is still ahead and we must be ready for it.

30 Years Ago
Jan. 14, 1926: Five wolves were killed Sunday in a Knox county wolf hunt. The roundup took place in Kissinger's pasture. The animals were auctioned off. Wayne Motor company building was changed last evening from a garage to a special hall for the old time dance.

25 Years Ago
Jan. 8, 1931: Harold Mackey, who was sentenced from Wayne county May 22, 1928 to serve 18 months in the state penitentiary for theft of the Kasper Korn car here, pleaded guilty in Yankton Tuesday to stealing a car belonging to Bert Hanson, Desmet, S.D. He also pleaded guilty to slugging Dr. B. H. Burrett, Creighton, Dec. 19. He was captured at Yankton college grounds.

It looks high priced...but it's the '56 Chevrolet!
Who wouldn't mistake this new Chevrolet for a high-priced car? It looks strictly "upper bracket" with its bold new Motorama styling... its longer, lower hood... its proud new full-width grille. But, even beyond the costly appearance of its beautiful Body by Fisher, Chevy gives the high-priced cars a run for their money. It brings you lightning acceleration for safer passing. Horsepower ranges up to 205! All engines now have hydraulic-hushed valve lifters. Besides, you get safety door latches in all models. You can also have seat belts, with or without shoulder harness, and instrument panel padding at extra cost. Come highway-test a Chevrolet!



Who wouldn't mistake this new Chevrolet for a high-priced car? It looks strictly "upper bracket" with its bold new Motorama styling... its longer, lower hood... its proud new full-width grille. But, even beyond the costly appearance of its beautiful Body by Fisher, Chevy gives the high-priced cars a run for their money. It brings you lightning acceleration for safer passing. Horsepower ranges up to 205! All engines now have hydraulic-hushed valve lifters. Besides, you get safety door latches in all models. You can also have seat belts, with or without shoulder harness, and instrument panel padding at extra cost. Come highway-test a Chevrolet!

Coryell Auto Company
112 East 2nd Wayne, Nebraska Telephone 152

rude Lynch sustained a broken bone in her right hand Sunday when she fell from a chair. She is staying with her grandparents, Mr. and Mrs. J. C. Patvelski, while attending college. A calf with three legs was born Friday at the Elmer Harrison farm southeast of Wayne. The animal is normal in every respect except that there is no leg beneath one of its front shoulders. The calf is able to get around on one.

20 Years Ago
Jan. 9, 1936: Paul Harrington, Jr. sustained a gash about eight inches long on his upper right leg Saturday evening when sliding the roof back of James Pile, Jr. on the latter's sled near the Presbyterian church. The sled and car collided, throwing Paul off and cutting him. Mrs. F. I. Moses, Wayne county demonstration club chairman, was one of 53 county chairmen honored at home economics division of organized agriculture at Lincoln Tuesday. Athletic boys of the Carroll high school held a carnival Friday evening with good attendance. The boys cleared \$50 which will go toward purchase of new basketball suits.

15 Years Ago
Jan. 9, 1941: David Garwood has accepted a position as utility teller with the Bank of America and reports to the San Francisco headquarters of that chain of banks by Jan. 27. By proclamation of Mayor M. L. Ringer, Jan. 13-18 has been designated as Chamber of Commerce Week in Wayne. WSTW music hour has a program scheduled for Saturday evening in the color program. Bernard McMillan has leased the Conoco station on South Main.

10 Years Ago
Jan. 20, 1946: Wayne city council Tuesday hired Earl Lewis as new policeman. Mrs. Kate Surber fell on the ice at Third and Pearl Monday, dislocating her right wrist. Arthur Lewis, who holds a farm sale Friday, bought the Wayne residence at 1212 Main street from W. S. Dressler and will move there this spring. The C. J. Boyer family lives in the home. Chris Lueders sold half interest in City Grocery to his son, Dirk Lueders. The partying on the ice at festive Jan. 1. Mrs. Henry Wadler's birthday was observed Friday afternoon when 11 women spent a social time with her.

In Bookland
Mrs. F. A. Miller
City Librarian

HERE'S AN IDEA FOR THE DO-IT-YOURSELF
wider. While your husband is busy with restora project, don't let his neglected. Start a project of your own. Maybe it is something to beautify your home, but whatever you decide upon come to the library for help. We have all kinds of do-it-yourself books.

AND SPEAKING OF HOBBIES OUR FILM FOR
Jan. 10-13 is "Have a Hobby." This film in full color, shows how collecting miniatures can be more fun when you build them yourself. Miniature models that can be assembled by anyone make it easy to do. A Chemical company puts out the film and the men and boys will be interested in seeing how models are assembled such as automobiles, sailing vessels and aircraft carriers. The film may be loaned to anyone interested or you may come to the library and see it shown.

CONGRESS STARTS A MOST IMPORTANT NEW
session this month. It's good citizenship to tell your Congressmen what you think but first be sure of your facts. For all the facts on virtually every subject, there's no finer source than your own library.

OUR MOST IMPORTANT BOOK THIS WEEK IS
the nineteenth annual publication of J. R. Lewis, "Your Income Tax." It will be used for a period of months and then be put aside for another year. Unless you are one of the individuals who think up new hands and turns the whole thing over to an expert, it would pay to consult. Lewis says he has a simple ABC explained to every man.

AFTER YOU HAVE FILLED OUT YOUR INCOME
tax return you will be ready for something on the lighter side. We have a new comic book, "An Episode of Sparrows," by the foremost comic artist, edited by Lawrence Larier. The cartoons deal with marriage and the title is "You've Got Me—And How!"

HERE AND THERE...
With Your County Agent
By Harold Ingalls

Income Tax Dates
Filing dates for farmer's income tax returns are changed from last year. Farmers can file their final return and pay the tax due by Feb. 15, 1956. An alternative is to file an estimate by Jan. 16 (Jan. 15 is Sunday) and pay the estimated tax, then file the final return and pay any additional tax by Apr. 16.

How do you keep people from raising and buying on the market? That won't sell. There are three ways. Let the price drop so they look around for something else to raise that is more profitable. Lower prices also tend to sell more other ways to establish by law what each is to raise and put a policeman on the job to enforce the law.

Farm Records
Jan. 1 is the time to start that set of farm records for 1956 for most farmers. There are three very important reasons for keeping a good set of farm business records or accounts. The most important is for your business analysis—to check up on progress, discover weak spots, phases of the business and plan changes that will improve the business and family living.

THE third reason for keeping good records is to provide a basis for obtaining credit which is used by most progressive farmers and which will be needed more than usual in Nebraska in 1956 because of last year's drought. Farm records give the lender a complete, concise and accurate picture of the farm business and help him provide the amount of credit needed on terms which fit the farm and family.

CAPITOL NEWS
BY MELVIN PAUL
Nebraska Press Association Statehouse Correspondent

University of Nebraska medical college campus, Omaha. But the head of the State Hospital division, Verne Pangborn, said it is doubtful whether sponsorship of the children's center can be clarified and contracts awarded by the June 30 deadline.

Farm Council
Nebraska has a new Farm Products council, designed to cooperate with a similar Iowa group in trying to find a way to increase the amount of meat eaten in the nation.

Farm Council
Nebraska has a new Farm Products council, designed to cooperate with a similar Iowa group in trying to find a way to increase the amount of meat eaten in the nation.

Farm Council
Nebraska has a new Farm Products council, designed to cooperate with a similar Iowa group in trying to find a way to increase the amount of meat eaten in the nation.

Farm Council
Nebraska has a new Farm Products council, designed to cooperate with a similar Iowa group in trying to find a way to increase the amount of meat eaten in the nation.

Farm Council
Nebraska has a new Farm Products council, designed to cooperate with a similar Iowa group in trying to find a way to increase the amount of meat eaten in the nation.

Farm Council
Nebraska has a new Farm Products council, designed to cooperate with a similar Iowa group in trying to find a way to increase the amount of meat eaten in the nation.

about a minister; "Escher" by Nathaniel Weinreb, a biblical story of Xerxes, ruler of Persia, and the Esther, his queen; and then there is an English story, "An Episode of Sparrows."

Thursdays at 3 p.m. for the little ones and Saturdays at the same hour for the school age young-sters.

Voter Registration
Voters in 11 of the 13 Nebraska cities where registration is required, must do so this year in order to be eligible for balloting in the elections.

School Room Hike
Building in Nebraska public schools has totaled a whopping \$58,914,000 since 1948, according to the State Department of Education.

Guard Strength Up
The strength of the Nebraska National Guard has mushroomed to a record 3,000. That's the report from its top officer, Maj. Gen. Guy N. Henninger.

Mental Health Study
Dr. Cecil Wittson announced patients in the mental hospitals at Lincoln, Norfolk and Beatrice State homes will be studied on a "pilot" basis.

University of Nebraska medical college campus, Omaha. But the head of the State Hospital division, Verne Pangborn, said it is doubtful whether sponsorship of the children's center can be clarified and contracts awarded by the June 30 deadline.

Farm Council
Nebraska has a new Farm Products council, designed to cooperate with a similar Iowa group in trying to find a way to increase the amount of meat eaten in the nation.

Farm Council
Nebraska has a new Farm Products council, designed to cooperate with a similar Iowa group in trying to find a way to increase the amount of meat eaten in the nation.

Farm Council
Nebraska has a new Farm Products council, designed to cooperate with a similar Iowa group in trying to find a way to increase the amount of meat eaten in the nation.

Farm Council
Nebraska has a new Farm Products council, designed to cooperate with a similar Iowa group in trying to find a way to increase the amount of meat eaten in the nation.

Farm Council
Nebraska has a new Farm Products council, designed to cooperate with a similar Iowa group in trying to find a way to increase the amount of meat eaten in the nation.

Farm Council
Nebraska has a new Farm Products council, designed to cooperate with a similar Iowa group in trying to find a way to increase the amount of meat eaten in the nation.

'I See by The Herald'

Items about Wayne folks you know

Holiday guests in the Mrs. William Kane home were Mr. and Mrs. Jack Kane, San Diego, Calif., Mr. and Mrs. Don Kane and Kathie Missouri Valley, Ia., Mr. and Mrs. William Kropp and family, Clarkson, Mrs. Hattie Whalen, Stanton, and Mr. and Mrs. Herbert Bremer, Stanton.

Ben Lass, Lucille and Robert were supper guests in the John Benjamin home Friday. Thursday guests in the Fremont Lubberstedt home were Mr. and Mrs. Irving Erown and family, Wakefield, Mr. and Mrs. Delbert Lueders and family, Wakefield, and Mr. and Mrs. Larry Lubberstedt and LaRaye.

Mrs. Ann Ley and children spent the holidays in the H. S. Evans home, Union City, Tenn., and the M. C. Tahafor home, Evansville, Ind.

Mr. and Mrs. Walter Lerner returned Thursday after spending two weeks in the Jean Rummel home, El Monte, Calif.

Mr. and Mrs. Paul Harrington visited in the Mrs. George O. Smith home, Lincoln, and were in Omaha on business Saturday through Tuesday.

Weekend guests in the C. L. Scriber home, South Sioux City, were Mr. and Mrs. Evan Hamer.

Last Tuesday Mrs. August Dorfman visited in the S. J. Hale home. Mrs. Clifford Hale and Mrs. Gerald Hale and Bradley called last Wednesday. Thursday guests there were Mrs. Gerald Hasebrook, Mrs. Frank Lansing, Mrs. Clifford Hale and Mrs. Harry Beckner.

Sunday dinner guests in the Charles Hill home were Mr. and Mrs. Lyle Garvin, Dixon.

Weekend guests in the Mrs. Hattie McNett home were Mr. and Mrs. Don Dion and Kerry Lee, Columbus. Mr. and Mrs. Emil Dion and Dick were Sunday dinner guests in honor of Kerry Lee's first birthday.

Last Sunday guests in the Tom Johnson home were Mr. and Mrs. C. E. Johnson and daughter, Tilden, Mr. and Mrs. Norman Broekelman and son, Columbus.

in to send patients from the five nearby counties to the institution before they are committed to an institution.

HEADQUARTERS
FOR THE FAMOUS AUDIOTONE HEARING AIDS
Fully guaranteed... Batteries, supplies for all makes... Let us take care of all your hearing needs... See us for Free Demonstration.
Prices Start at 9950
BATTERIES for All Makes
2 Registered Pharmacists to Serve You
Felber Pharmacy
Reliable Prescription Service Since 1906

Business and Professional DIRECTORY

Table with columns for CHIROPRACTORS, DENTISTS, SEWING MACHINES, PHYSICIANS, VETERINARIANS, REAL ESTATE, INSURANCE - REAL ESTATE, OPTOMETRISTS, and NURSING HOMES. Lists names and addresses of professionals in Wayne, Nebraska.

When You Think of SHOES Think of VAN'S WAYNE'S FAMILY SHOE STORE



Mrs. Ray Reeg Re-elected as Head of St. Paul's Society

Mrs. Ray Reeg was re-elected president of St. Paul's Ladies aid...

Mrs. Lester Prazwiz was named vice president...

Approx 40 members attended. Rev. H. M. Hilpert led devotions...

Nutshell friends were revealed and new names drawn...

Mrs. and Mrs. Adolf Miller and Delain were Monday evening visitors...

Mrs. and Mrs. Howard Nielsen and Curtis were Sunday evening visitors...

Mrs. and Mrs. Maurice Lauby were supper guests Thursday evening...

Mrs. and Mrs. Howard Morris and family were dinner guests Sunday...

In honor of Herman Kall's birthday a group of relatives and friends...

Mrs. and Mrs. Wilfred Miller were dinner guests during the week...

Mrs. and Mrs. Harvey Podoll attended the American Legion Dis-

WINSIDE NEWS

By Gladys Reichert, phone 2682

Walter League Elects Officers at St. Paul's

St. Paul's Walter League met Wednesday evening at the church parlors...

New officers elected were: Gary Kant, president; Glenda Nelson, vice president...

Bill Wilfers and Leo Asmus will be the entertainment committee for February...

Mr. and Mrs. Frank Bright, Norfolk, called in the W. N. Wagner home...

Mr. and Mrs. Arnold Wittler and family were Sunday afternoon visitors...

Mr. and Mrs. Merlen Priel, Norfolk, and Mr. and Mrs. Wilfred Miller and Mandy were Sunday

afternoon visitors in the Gus Hoffman home...

Chester Marotz, Hoskins, visited in the Warren Marotz home Saturday...

Mr. and Mrs. P. C. Jensen and Jimmie were Thursday evening visitors in the Andrew Anderson home...

Mrs. Henry Pohlman and Anna Pohlman, Stanton, were Sunday afternoon and supper guests in the Frank Bronzynski home...

Mr. and Mrs. Herman Bronzynski, Norfolk, were Friday dinner guests in the Frank Bronzynski home...

Mr. and Mrs. P. C. Jensen and Jimmie and Mr. and Mrs. Andrew Anderson were Friday evening visitors in the Chester Wylie home...

Mr. and Mrs. William Janke were in the Carl Ehlers home Sunday afternoon to visit Mrs. Rosa Eckert...

Mr. and Mrs. Frank Bright, Norfolk, called in the W. N. Wagner home...

Mr. and Mrs. Arnold Wittler and family were Sunday afternoon visitors in the Raymond Wittler home...

Mr. and Mrs. Merlen Priel, Norfolk, and Mr. and Mrs. Wilfred Miller and Mandy were Sunday

Mr. and Mrs. Norman Deek and family, Mr. and Mrs. Henry Asmus, Sanira and Ronnie, Donald Asmus and Donna Frank...

Mr. and Mrs. Andrew Andersen were callers in the Marvin and Leonard Andersen home Saturday morning...

Mr. and Mrs. Dallas Schellenberg and children spent Wednesday evening in the Edwin Brogren home...

Sunday evening supper guests in the Edwin Brogren home were Mr. and Mrs. L. E. Norling, Norfolk...

Mr. and Mrs. Melvin Coulter entertained Mrs. Carolyn Andersen and Woodrow, Mr. and Mrs. Norman Andersen and Mr. and Mrs. George at supper Monday in honor of Sylvia's eighth birthday...

Mr. and Mrs. Edwin Brogren and Lois spent Saturday evening in the Lyle Jenkins home, Norfolk...

Margaret and Eddie Peterson entertained Mr. and Mrs. P. C. Jensen and Jimmie and Mr. and Mrs. Chester Wylie and Clarence at dinner Monday...

Mr. and Mrs. Herman Bronzynski, Norfolk, were Friday dinner guests in the Frank Bronzynski home...

Mr. and Mrs. P. C. Jensen and Jimmie and Mr. and Mrs. Andrew Anderson were Friday evening visitors in the Chester Wylie home...

Mr. and Mrs. William Janke were in the Carl Ehlers home Sunday afternoon to visit Mrs. Rosa Eckert...

Mr. and Mrs. Frank Bright, Norfolk, called in the W. N. Wagner home...

Mr. and Mrs. Arnold Wittler and family were Sunday afternoon visitors in the Raymond Wittler home...

Mr. and Mrs. Merlen Priel, Norfolk, and Mr. and Mrs. Wilfred Miller and Mandy were Sunday

DIXON NEWS

Mrs. Earl Ankeny, Phone 121R19

Methodist WSCS meets today in the church parlors...

Mrs. Myrtle Smith at St. Joseph's hospital, Wednesday...

Mr. and Mrs. Dale Davidson and Ann were Thursday night callers in the home of Mr. and Mrs. John Anderson...

Norman Lubberstedt underwent surgery last week at Bentback hospital...

Mrs. Paul Borg and Karen and Mrs. Donald Peters and children were Monday evening guests of Mrs. Earl Ankeny...

Mrs. Dick August, Donnie and Rhonda Laurel, were Sunday visitors in the George Monk home...

Mr. and Mrs. Vernor Hughes and family, Wahoo, spent Saturday night and Sunday in the Kresser home...

Mr. and Mrs. Norman Jensen and family, Laurel, were Sunday evening visitors in the Patsy Garvin home...

Mrs. and Mrs. Dale Davidson visited Mrs. Myrtle Smith in St. Joseph's hospital last Sunday...

Mr. and Mrs. Marvin Hartman were Wednesday supper guests of Everett Lisle...

Mrs. Myrtle Smith in St. Joseph's hospital last Sunday. They also called in the Merlin Chambers home, Dakota City...

Mr. and Mrs. Fred Wolters were in Sioux City Tuesday...

Mr. and Mrs. A. P. Borg were last Sunday dinner guests in the Roy Hildiker home, Allen, Calif. ...

Mrs. Asa Harvey, Madera, Calif., was last Wednesday evening visitor in the Lowell Saunders home...

Mrs. M. P. Kavanaugh and Jack were Thursday visitors in the Ed Kessler home. The group at family...

Mr. and Mrs. W. L. Cary spent Sunday with the Oscar Fiene family, Lincoln...

Mr. and Mrs. Elmer Nielsen and family were supper guests in the Marvin and Leonard Andersen home Sunday...

Walter Spindens Mark Forty-Fifth Anniversary

Mr. and Mrs. Walter Spinden observed their forty-fifth wedding anniversary Thursday...

Mr. and Mrs. Ernest Elder spent Monday evening with Mr. and Mrs. A. L. Janke...

Lorraine Heier was a dinner and supper guest Sunday in the Cecil Prince home...

Mr. and Mrs. Dave Miller and family were New Year's supper guests in the Ed Meyerhome home...

Mr. and Mrs. Earl Thies spent Sunday evening in the Warren Marotz home...

Mr. and Mrs. Arnold Ehler were Sunday evening visitors in the Raymond Wittler home...

Mr. and Mrs. Her Hanson spent Sunday evening with Mr. and Mrs. Frank Bronzynski...

Mr. and Mrs. Chester Cary and

4-H Club News

Beat 'em All Club Beat 'em All club met Dec. 29 in the REA building...

Cars, Trucks Registered

New Cars Emil Schulz, Wayne, Buick Wilbert or Melvin Stuttham, Wayne, Dodge...

Used Cars

1955 Orval Puckett, Pender, Chev. 1954 Charles Gallot, Winside, Dodge...

1953 Marie C. Daehn, Wayne, Chev. Donald Miles, Wayne, Chevrolet...

1952 Walter Gilbert, Wayne, Chev. Schmode-Weible, Winside, Int. t. Charles E. Hall, Winside, Ford...

1951 Conley I. Stutz, Wayne, Ford Ismael Hughes, Wayne, Ford...

1950 Glenn Walker, Wayne, Ford pu Richard Lund, Wayne, Chev. pu Raymond A. Watz, Wayne, Fly. Ernfrid Allvin, Wayne, Ford...

1949 Herman Thun, Carroll, Chev. pu Robert L. Dowling, Wayne, Olds. Lloyd Russell, Wayne, mortorycle...

1948 Donald Fleetwood, Wake, Stude. Noel Koch, Winside, motorcycle...

1946 Hans Thomsen, Winside, Ford pu 1942 Allen Splittgerber, Wis., Chev. t. 1940 Lawrence R. Smith, Wayne, Ford 1939 Otto Field, Winside, Ford pu

Kavanaugh Reunion Held At Ed Kessler Home

Kavanaugh family gathered at the home of Mr. and Mrs. Ed Kessler New Year's...

Among those attending were: Mr. and Mrs. M. P. Kavanaugh and Vincent, Mr. and Mrs. James Kavanaugh and Jimmy, Mr. and Mrs. Aldin Serven and children, Mr. and Mrs. Gerle Kavanaugh and girls, Mr. and Mrs. Merle Kavanaugh and Gary...

Mr. and Mrs. Earl Mason and boys and Mr. and Mrs. Raymond Spahr and Barbara were guests Saturday evening in the Lloyd Wendell home...

Rev. and Mrs. Harold Bonath and Mr. and Mrs. Ray Miner and children were Sunday dinner guests in the Earl Ankeny home...

Mr. and Mrs. R. B. Ankeny and Mr. and Mrs. Chester Ankeny were guests in the home of Rev. and Mrs. Dale Westadt, Papillion, Sunday, Rev. Cox, Gretna, was also a guest in the Westadt home...

Mr. and Mrs. Rollen Dunn entertained Mr. and Mrs. Earl Ankeny and children at supper Saturday evening...

Mr. and Mrs. Loran Thomps visited Norman Lubberstedt at Bentback hospital Friday afternoon...

PHONE YOUR NEWS TO THE HERALD—180

Advertisement for VAN'S shoes featuring a large image of various styles of shoes and the text 'BIG CLEARANCE SHOES AND Overshoes BARGAINS GALORE'.

Advertisement for Pontiac cars featuring a large image of a car and the text 'Invest in Dependability... get a Bonus in Go!'.





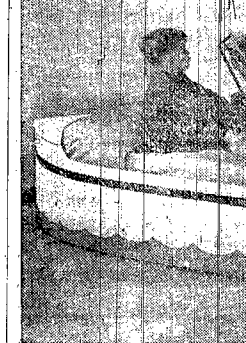


# Sleepy-Time Theme Carried Out in Two Bunk Designs for Child's Room

Ask any mother what the toughest time of the day is and she'll be quick to reply—right time, the end of the day, when both mother and children are tired and when the kiddies can think of a million reasons why they should go to bed.

The problem of getting children tucked down at night may be alleviated by providing attractive and useful bedroom settings for the children. A little added incentive may be all that is needed to get the tots started toward the bedroom.

Douglas Fir Plywood association is offering designs of two bunk arrangements along these lines. One is a bunk bed with steps and a ladder. The other is a single bunk bed in the setting of a plywood boat. Both are from the architectural firm of Campbell and Wong, San Francisco.



A sea-story for Junior in the nautical surroundings made possible by this fir plywood boat-bed can make night time an interesting event for the youngster. The removable mast serves as an overnight place to hang clothing.

deal to a child's free-ranging imagination. Instead of hailing Junior off to bed, some interesting lure such as "come on admiral, let's get aboard ship" may be most helpful. The boat bed comes complete with a removable mast and lockers to create a semi-realistic effect. The idea is to provide something as attractive as a boat ride yet to serve several useful purposes.

The boat is constructed so as to provide ample room for "berthing" another small child and also provides room for storage of night clothing.

Clothes Hanger  
It is designed for simplified construction with thin panels of fir plywood. At the foot, there is a simple framework for the mast with a crosspiece. You might even have some success getting the toddlers to hang up their clothes if they think they're decorating their mast instead of performing the usual bedtime chore.

At bow and stern, there are lockers reached by ladders, which provide temporary storage. Doubtless, these lockers will soon be a catchall for many other things than clothing, but it's good for a try in keeping the child's bedroom orderly.

The design of the boat bed leaves a wide range for the do-it-yourselfer, particularly in finishing the fir plywood panels. A multitude of color schemes are easily adaptable to the boat bed. The boat is lightweight and can be converted into a day-time plaything as a boat by the kiddies, should mother want to get to the trouble of raking up the bed each night.

Novel Bunk Beds  
Only a little less novel and something in an idea directed toward older children is the plywood bunk beds which carry out the sleepy-time theme.



Plywood panels here serve as both integral parts of the construction of these bunk beds, plus the additional advantage of lending themselves to perforations to act as ladders. No climbing member is necessary. This is another item for children easily made from simple plans available from the Douglas Fir Plywood association.

wood bunk beds which carry out the sleepy-time theme. The bunk beds demonstrate the integration of simple ornamentation in fir plywood with a function of a stepladder. It consists of two framed panels of plywood serving as the surface for the mattresses. These are supported with a vertical plywood headboard at one end and two standards on the sides. The sides and the headboard are perforated with regular holes cut in the panel surfaces. These serve as climbing facilities, as well as providing visual ornamentation.

Here again, is an ideal do-it-yourself project which can readily be done at home with a small amount of plywood and just a few ordinary tools found around most homes.

Construction plans for either the boat bed or the bunk beds, or both, may be obtained without cost by writing the Douglas Fir Plywood association, Tacoma, 2, Wash.

Called "Electrapane", the glass was developed for use in aircraft during World War II and is now widely used as windshields in airplanes, and the bridges of ships to ensure maximum visibility by preventing icing.

A minute film of transparent metallic oxide on the surface of the glass is the secret of Electrapane's ability to "conduct" electricity. This film, is 15 to 20 millionths of an inch thick. The film on the glass compares to a four-inch snow on a mile high mountain. THE FILM is as durable as the surface of the glass and doesn't create any cleaning problems. Electrapane windows can be cleaned just like any other. The glass itself is semi-tempered during the application of the film and is therefore tougher than regular glass. When an electric current flows through the metallic film, the glass grows warm and radiates heat. The intensity of the heat can be turned all the way up to 450 degrees without endangering the glass.

The Electrapane becomes a lighting fixture through "electroluminescence" as this is achieved by another minute film of various phosphors. So far the scientists have developed films which glow with blue, blue-green, green and yellow light and are working on a phosphor to produce red which, when found, will enable them to make Electrapanes glow with almost any color they desire.

SO, COMES 1975; junior's baseball will bounce harmlessly off your window wall. The glass will be heat-tempered twin-ground plate glass so distortionless that from indoors the grass and trees outside will seem to be a part of the room. When the sun goes down, you simply turn a rheostat switch and the window wall becomes a glowing panel with a light as delicate as moonlight or bright or depending on your mood.

On cold days, when the thermostat slides below the thermostat setting, another switch will trip and the glass will glow warm, heating the room with radiant heat and preventing the windows from frosting over or collecting condensation.

Fall Planting Is Better for Most Shrubs, Trees  
In most sections of the country the ground is in excellent condition in the fall for planting and most shrubs and trees will have a head start on next year if planted at that time.

Fall planting enables plants to grow and become well established before the colder months set in. Usually, because there is more rainfall they will not require so much watering to keep them healthy, though they should be watered thoroughly when set out and normally thereafter if needed. In the late winter months plants will start to grow much earlier in the season if set out the previous fall. They will already have been through their period of getting established and they will have far better flowers or foliage or fruit, as the case may be, than if the early spring weeks are required for the plants to become established.

In the fall most plants in com-

mercial nurseries after a summer of growth are in the healthiest possible state for transplanting to home properties. This is true of evergreens as well as deciduous plants.

There are three things which make for good planting. First, make sure that the hole dug for any plant is large enough for its roots to spread out flat with ample space beyond the root tips for them to grow. Secondly, unless the soil is notably fertile, make a mixture of good soil and peat moss and pour it in the hole both below and above the roots so that it covers them completely.

Third, soak the plant and soil thoroughly at the time of planting and thereafter as needed. It is not advisable to fertilize in the fall as it may encourage soft growth. In frost-free areas, however, fall fertilizing may be advisable. Consult with your nurseryman. Best time to fertilize generally is in the late winter or early spring, and then again just after the flowering period of the plant.

Winter watering of plants is very beneficial where snowfall or rains are insufficient during the winter months. Plants that go into the winter without sufficient water in the soil are more likely to suffer damage from wind and cold. Where winters are severe special protection with mulches of salt hay, peat moss and even burlap windbreaks may be necessary with certain plants. Consult with your nurseryman as to any special or local planting advice for individual species. But gear much of your planting of trees and shrubs to the fall months so they'll be able to take advantage of late winter and early spring growth.

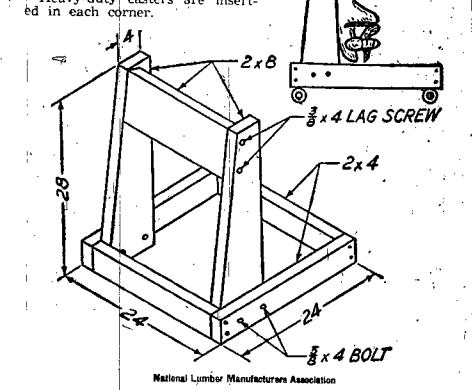
The Wayne (Nebr.) Herald, Thursday, January 12, 1956

## HERE'S HOW...

### MAKE AN OUTBOARD MOTOR RACK

A rack for an outboard motor aids in storage, transportation and maintenance. Use 2 by 4-inch lumber for the base, and 2 by 8-inch for the uprights and cross piece. Use two 3/4 by 4-inch lag screws at each base joint and fasten the cross member.

The uprights are fastened to the base with 3/4 by 4-inch carriage bolts with washers beneath the nuts. Heavy-duty casters are inserted in each corner.



National Lumber Manufacturers Association

**BUILDING or REMODELING?**

SEE TIEDTKE FOR

- Plumbing
- Heating
- Youngstown Kitchens
- Wiring
- Appliances

GENERAL ELECTRIC — AMERICAN STANDARD

**TIEDTKE**

PLUMBING, HEATING & APPLIANCES

Phone 268 108 Main

## Frigidaire does it again!

Frigidaire has created a whole new standard of refrigerator values, with its 1956 line of the finest refrigerators in the entire industry. And they're priced at levels that make them today's biggest refrigerator bargains.

**TOP VALUE—ONLY**

**\$329.95** Model FD-95-56

LESS—a trade-in allowance on your present refrigerator equal to every penny of its true value.\*

This handsome 9.5 cubic foot Food Freezer-Refrigerator has a host of New Lift to Living Frigidaire features. GIANT FOOD FREEZER • SEPARATE REFRIGERATOR SECTION WITH AUTOMATIC DEFROSTING BIG-CAPACITY STORAGE DOOR • ALUMINUM ROLL-TO-YOU SHELVES FULL-WIDTH HYDRATOR • BUTTER COMPARTMENT • TILT-DOWN EGG SERVER EVERYTHING YOU WANT!

... and look how easily it can be yours:

- \* If your present refrigerator is worth a trade-in of, say, \$90— you pay only **\$239.95**
- \* If your present refrigerator is worth a trade-in of, say, \$120— you pay only **\$209.95**
- \* If your present refrigerator is worth a trade-in of, say, \$140— you pay only **\$189.95**

REMEMBER—You get the best when you buy FRIGIDAIRE Come in Today

**Kugler Electric**

"We Service What We Sell" 30 YEARS WITH FRIGIDAIRE Wayne, Nebr. Phone 322

## In 1975—Luminous Electric Windows May Light Homes

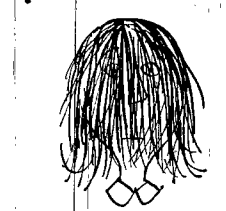
What will the windows in the home of 1975 be like? The developments in the glass industry are as rapid during the next 20 years as they have been in the last two decades, the glass in your windows may take on the added job of full-time winter heating and be the source of light at night as well as during the day.

A wide series of products now in common use were unheard of or deemed impossible 20 years ago. Among these are: Thermopane, the double-pane, heat-insulating window units which insulate better than ordinary inches of stone or 10 inches of concrete.

Heat-absorbing plate glass which, so long as you can bear molten lead on it, while it rests on a block of ice, and which resists a vigorously thrown baseball as if it were a marionette.

Heat-absorbing plate glass which absorbs 50 percent of the sun's radiant energy. Mirropane, the transparent mirror which is clearer from one side and a mirror from the other, and Panalite-O-Plate glass, plate glass which, because it is ground on new precision grinding equipment, is so free from distortion and transmits light so evenly, it is almost invisible.

Researchers are combining their work on glass which "conducts" electricity, grows warm and radiates heat at the touch of a switch or glows with softly diffused light in a variety of colors.



## No curls?

Look up Beauty Shops in the classified section of your phone book. Whatever product or service you need—Beauty Shop, Jewelry, Cleaner, Electrical Appliances—you'll find it FAST in the YELLOW PAGES!

**FRIGIDAIRE**

SALES and SERVICE

**KUGLER ELECTRIC**

106 Main Phone 322

*Glamorize Your Kitchen*

FOR AS LITTLE AS **\$7.59** per month

YOU CAN HAVE THE MOST WANTED KITCHEN CABINETS

Modern designs... for modern finishes... for the modern homemaker, that's Long-Bell cabinets to a "T".

Whether your kitchen is small, medium or large, there is a Long-Bell combination to fit your needs exactly. These units are adaptable to remodeling or new construction.

Your choice of beautiful hardwood finishes or edge-grain fir... either knocked-down for do-it-yourselfers or completely installed by our expert workmen.

If you want new cabinets... you owe it to yourself to see Long-Bell first.

**Long-Bell KITCHEN Cabinets**

Funds Available For Remodeling E-Z TERMS 36 MONTHS TO PAY

**CARHART** LUMBER COMPANY

105 Main Phone 614 Wayne, Nebr.

# The Herald's Legal Section

Complete Accurate Official FOR ALL WAYNE COUNTY

## LEGAL PUBLICATION

### COUNTY BOARD PROCEEDINGS

Board met per adjournment with all members present. Minutes of preceding meeting read and approved. The following officers' reports of fees collected during December and certified by county auditor were approved: John T. Bressler, Jr., Clerk of Dist. Court, \$100.00; Harry Tietjen, County Sheriff, \$100.00; Charles J. Hamer, County Judge, \$100.00; C. A. Bard, County Clerk, \$100.00.

The following bills were read and approved: Wayne National Bank of Omaha, \$100.00; First National Bank of Omaha, \$100.00; First National Bank of Wayne, \$100.00; National Bank of Commerce, \$100.00.

## GENERAL FUND

Account	1955	1956
Harold C. Goshorn, Road Work	6.10	3.33
Conrad Meyer, Road Work	6.10	3.33
Ed S. Nathan, Same	6.10	3.33
W. F. Bonta, Road Work	11.10	2.20
Carl Hulbert, Pushing snow and repair	11.10	2.20
Buch Johnson, Same	11.10	2.20
John Johnson, Pushing snow and repair work	11.10	2.20
John Watson, Pushing snow and repair work	11.10	2.20
Ed S. Nathan, Same	6.10	3.33
Kopin Auto Supply, Repairing	4.47	0.89

## CITY BOARD PROCEEDINGS

Account	1955	1956
Harold C. Goshorn, Road Work	6.10	3.33
Conrad Meyer, Road Work	6.10	3.33
Ed S. Nathan, Same	6.10	3.33
W. F. Bonta, Road Work	11.10	2.20
Carl Hulbert, Pushing snow and repair	11.10	2.20
Buch Johnson, Same	11.10	2.20
John Johnson, Pushing snow and repair work	11.10	2.20
John Watson, Pushing snow and repair work	11.10	2.20
Ed S. Nathan, Same	6.10	3.33
Kopin Auto Supply, Repairing	4.47	0.89

Every government official or board that handles public money should publish at regular intervals an accounting of how each dollar is spent. We hold this to be a fundamental principle of democratic government.

## LEGAL PUBLICATION

### CITY COUNCIL PROCEEDINGS

Account	1955	1956
Harold C. Goshorn, Road Work	6.10	3.33
Conrad Meyer, Road Work	6.10	3.33
Ed S. Nathan, Same	6.10	3.33
W. F. Bonta, Road Work	11.10	2.20
Carl Hulbert, Pushing snow and repair	11.10	2.20
Buch Johnson, Same	11.10	2.20
John Johnson, Pushing snow and repair work	11.10	2.20
John Watson, Pushing snow and repair work	11.10	2.20
Ed S. Nathan, Same	6.10	3.33
Kopin Auto Supply, Repairing	4.47	0.89

## LEGAL PUBLICATION

### CITY COUNCIL PROCEEDINGS

Account	1955	1956
Harold C. Goshorn, Road Work	6.10	3.33
Conrad Meyer, Road Work	6.10	3.33
Ed S. Nathan, Same	6.10	3.33
W. F. Bonta, Road Work	11.10	2.20
Carl Hulbert, Pushing snow and repair	11.10	2.20
Buch Johnson, Same	11.10	2.20
John Johnson, Pushing snow and repair work	11.10	2.20
John Watson, Pushing snow and repair work	11.10	2.20
Ed S. Nathan, Same	6.10	3.33
Kopin Auto Supply, Repairing	4.47	0.89

"I Guess NOW'S a Good Time for College Plans" Mommy and Daddy think so, anyway. They're putting a dollar a week into a Savings Account earmarked for advanced education. We're adding 2% interest, compounded semi-annually. When the time comes, there'll be quite a chunk of money ready for this important goal. Isn't this a good idea for you, too?

First National Bank 200 Main Phone 7

Co. Firemans' Phones... 10.00  
Silo Oil Co. Gasoline... 1.25  
Kopin Auto Supply... 4.47  
Tietjen's Labor & Art... 25.75  
Karl's Art... 25.75  
The Wayne Herald Printing... 22.91  
Walter S. Bressler... 25.75  
The Wayne Herald Printing... 22.91  
Walter S. Bressler... 25.75  
Karl's Art... 25.75  
The Wayne Herald Printing... 22.91  
Walter S. Bressler... 25.75

Resolution Making Assessments  
The Mayor and Council of the City of Wayne, Nebraska, that after fully considering the accompanying bills showing the amount of such assessments and the same are hereby approved.

Resolution Making Assessments  
The Mayor and Council of the City of Wayne, Nebraska, that after fully considering the accompanying bills showing the amount of such assessments and the same are hereby approved.

Resolution Making Assessments  
The Mayor and Council of the City of Wayne, Nebraska, that after fully considering the accompanying bills showing the amount of such assessments and the same are hereby approved.

Resolution Making Assessments  
The Mayor and Council of the City of Wayne, Nebraska, that after fully considering the accompanying bills showing the amount of such assessments and the same are hereby approved.

Resolution Making Assessments  
The Mayor and Council of the City of Wayne, Nebraska, that after fully considering the accompanying bills showing the amount of such assessments and the same are hereby approved.

Resolution Making Assessments  
The Mayor and Council of the City of Wayne, Nebraska, that after fully considering the accompanying bills showing the amount of such assessments and the same are hereby approved.

Resolution Making Assessments  
The Mayor and Council of the City of Wayne, Nebraska, that after fully considering the accompanying bills showing the amount of such assessments and the same are hereby approved.

Operates for an entire month on one 15¢ "A" battery... no "B" battery... greater economy, fewer battery changes... greater-than-ever clarity!

Zenith 3-TRANSISTOR HEARING AID

for the use and purposes of the Nebraska National Guard and State Militia... Resolution Making Assessments... The Mayor and Council of the City of Wayne, Nebraska, that after fully considering the accompanying bills showing the amount of such assessments and the same are hereby approved.

Resolution Making Assessments  
The Mayor and Council of the City of Wayne, Nebraska, that after fully considering the accompanying bills showing the amount of such assessments and the same are hereby approved.

Resolution Making Assessments  
The Mayor and Council of the City of Wayne, Nebraska, that after fully considering the accompanying bills showing the amount of such assessments and the same are hereby approved.

Resolution Making Assessments  
The Mayor and Council of the City of Wayne, Nebraska, that after fully considering the accompanying bills showing the amount of such assessments and the same are hereby approved.

Resolution Making Assessments  
The Mayor and Council of the City of Wayne, Nebraska, that after fully considering the accompanying bills showing the amount of such assessments and the same are hereby approved.

Resolution Making Assessments  
The Mayor and Council of the City of Wayne, Nebraska, that after fully considering the accompanying bills showing the amount of such assessments and the same are hereby approved.

Resolution Making Assessments  
The Mayor and Council of the City of Wayne, Nebraska, that after fully considering the accompanying bills showing the amount of such assessments and the same are hereby approved.

Resolution Making Assessments  
The Mayor and Council of the City of Wayne, Nebraska, that after fully considering the accompanying bills showing the amount of such assessments and the same are hereby approved.

Resolution Making Assessments  
The Mayor and Council of the City of Wayne, Nebraska, that after fully considering the accompanying bills showing the amount of such assessments and the same are hereby approved.

Resolution Making Assessments  
The Mayor and Council of the City of Wayne, Nebraska, that after fully considering the accompanying bills showing the amount of such assessments and the same are hereby approved.

## NORTHWEST Wayne

Mr. and Mrs. Carl Damm were last Sunday dinner guests in the Albert Damm home.

Mr. and Mrs. Lawrence Heikes and family were last Wednesday evening supper guests in the Will Schroeder home.

Mr. and Mrs. Milton Farney were New Year's dinner guests in the Ray Farney home.

Friday evening guests in the Alvin Willers home were Mr. and Mrs. Ambrose Jorgensen, Wakefield.

## SOUTHWEST Wayne

Mr. and Mrs. George Hoffman were last Wednesday evening guests in the Gilbert Mau home.

Last Monday evening guests in the John Rhoades home were Mr. and Mrs. Marvin Pospichil and daughters. Last Tuesday evening guests were Mr. and Mrs. Herman Brockman and Jack.

Suden home were Mr. and Mrs. Otto Test and Mr. and Mrs. Art Mann and family.

Don Koll returned Friday morning from the service. His parents, Mr. and Mrs. Gustav Koll, went to Omaha to meet him.

Mr. and Mrs. S. C. Voss and Howard and Mr. and Mrs. Dean Alvin were Friday evening supper guests in the Rudolph Kay home. Mr. and Mrs. Roy Sommerfeld and family were last Wednesday guests in their home.

Mrs. Albert Nelson entertained the Plum Creek Center club last Wednesday. Ten members and four guests attended. Guests were Mrs. Wallace Giese and Mrs. Glenn Frevert and children.

Last Sunday dinner guests in the Glenn Frevert home, Winfield, were Mr. and Mrs. Albert Nelson.

Last Wednesday afternoon Mrs. Warren Hollweg, Colorado Springs, Colo., was a guest in the Gilbert Baier home. Last Tuesday evening guests were Mr. and Mrs. Alfred Baier, Alice and Connie.

## LEGAL PUBLICATION

NOTICE OF HEARING OF PETITION FOR APPOINTMENT OF ADMINISTRATOR

County Court of Wayne County, Nebraska.

State of Henry L. Jones, deceased.

The State of Nebraska, to all concerned.

Notice is hereby given that a petition has been filed for final settlement, determination of debts and approval of final account and discharge which will be for hearing in this court on January 21, 1956, at 10 o'clock a. m.

Entered this 29th day of December, 1955.

David J. Hamer, County Judge.

## LEGAL PUBLICATION

NOTICE TO CREDITORS

County Court of Wayne County, Nebraska.

Estate of Edna Perrin, deceased.

Notice is hereby given that all claims against said estate must be filed on or before the 23rd day of April, 1956, or be forever barred and that a meeting of creditors will be held in this court on January 23, 1956, at 2 o'clock p. m.

Entered this 27th day of December, 1955.

David J. Hamer, County Judge.

## LEGAL PUBLICATION

NOTICE TO CREDITORS

County Court of Wayne County, Nebraska.

Estate of Edna Perrin, deceased.

Notice is hereby given that all claims against said estate must be filed on or before the 23rd day of April, 1956, or be forever barred and that a meeting of creditors will be held in this court on January 23, 1956, at 2 o'clock p. m.

Entered this 27th day of December, 1955.

David J. Hamer, County Judge.

## LEGAL PUBLICATION

NOTICE TO CREDITORS

County Court of Wayne County, Nebraska.

Estate of Edna Perrin, deceased.

Notice is hereby given that all claims against said estate must be filed on or before the 23rd day of April, 1956, or be forever barred and that a meeting of creditors will be held in this court on January 23, 1956, at 2 o'clock p. m.

Entered this 27th day of December, 1955.

David J. Hamer, County Judge.

## LEGAL PUBLICATION

NOTICE TO CREDITORS

County Court of Wayne County, Nebraska.

Estate of Edna Perrin, deceased.

Notice is hereby given that all claims against said estate must be filed on or before the 23rd day of April, 1956, or be forever barred and that a meeting of creditors will be held in this court on January 23, 1956, at 2 o'clock p. m.

Entered this 27th day of December, 1955.

David J. Hamer, County Judge.

## LEGAL PUBLICATION

NOTICE TO CREDITORS

County Court of Wayne County, Nebraska.

Estate of Edna Perrin, deceased.

Notice is hereby given that all claims against said estate must be filed on or before the 23rd day of April, 1956, or be forever barred and that a meeting of creditors will be held in this court on January 23, 1956, at 2 o'clock p. m.

Entered this 27th day of December, 1955.

David J. Hamer, County Judge.

## LEGAL PUBLICATION

NOTICE TO CREDITORS

County Court of Wayne County, Nebraska.

Estate of Edna Perrin, deceased.

Notice is hereby given that all claims against said estate must be filed on or before the 23rd day of April, 1956, or be forever barred and that a meeting of creditors will be held in this court on January 23, 1956, at 2 o'clock p. m.

Entered this 27th day of December, 1955.

David J. Hamer, County Judge.

## LEGAL PUBLICATION

NOTICE TO CREDITORS

County Court of Wayne County, Nebraska.

Estate of Edna Perrin, deceased.

Notice is hereby given that all claims against said estate must be filed on or before the 23rd day of April, 1956, or be forever barred and that a meeting of creditors will be held in this court on January 23, 1956, at 2 o'clock p. m.

Entered this 27th day of December, 1955.

David J. Hamer, County Judge.

# Wayne County Farm

AT AUCTION

## Wed., Jan. 18, 1956

at 2:00 P. M. on the premises

### Arnold Gubbels' 240 acres located three-fourths mile west of Sholes and four miles southeast of Randolph.

SE 1/4 of Sec. 4, Twp. 27, R. 1 East, Wayne Co., 160 acres.  
Legal Description: (Improved)  
N 1/2 NE 1/4 of Sec. 9, Twp. 27, R. 1 East, Wayne Co., 80 acres.

The 160 acres and the 80 acres will be offered separately; will also be offered as one 240 acre unit.

Possession March 1, 1956

### Terms of Sale:

50% day of sale, balance when deed and abstract are delivered. Abstract showing merchantable title will be furnished.

### The Heirs of Arnold Gubbels, Deceased

For further details see or inquire of Walter Gubbels or Joseph G. Rogers, Randolph, Nebraska, or Matt Gubbels, Osmond, Nebraska





# CONCORD NEWS

Mrs. Glenn Paul

Junior Missionary Society met Saturday in the church parlors. A film was shown. Fern and Earl Anderson served. Next meeting will be Feb. 4.

Mrs. Otelia Magnuson called in the Olaf Nelson home Saturday. Super guests in the Jim Kirchner home New Year's were Mr. and Mrs. Arthur Flegley and Joyce Dixon and Curtis Crawford, Jr., Laurel.

Mr. and Mrs. Elroy Hank and family and Mr. and Mrs. James Hank visited in the Dick Hanson home Thursday evening.

Shelley Creamer returned home Friday after spending the past week in the Herman Rugh home. Mrs. Thomas Erwin visited in the Verdel Erwin home Friday afternoon.

Mr. and Mrs. Arvid Peterson spent Tuesday in Sioux City. Mr. and Mrs. Clarence Dahlquist, Ted Gunnarson and Ardyce Falton took Dan Dahlquist to Omaha Friday where he left by plane for Ft. Dix, N. J. He will be sent to Iceland very soon.

Mrs. Cal Hogle visited in the James Matsuki's home Sunday afternoon. Afternoon and evening visitors were Mr. and Mrs. F. A. Yeoman and Connie, Sioux City.

A cooperative dinner was held Monday night in the Dean Backstrom home, Wayne. Guests were Mr. and Mrs. Harold Erwin and boys, Mr. and Mrs. Eric Nelson and family, Mr. and Mrs. Pat Er-

win and girls, Mr. and Mrs. Clifford Stalling and Scotty, Mr. and Mrs. Jack Erwin and family, Doris Johnson, Mr. and Mrs. Marland Schroeder and family, and Gus Mowk, Wakefield. Mr. and Mrs. Robert Sasse and daughter, Pigrer, and Mr. and Mrs. La Verne Clarkson and Debbie, Wayne.

**Women's Welfare Club Donates to Polio Drive**

Women's Welfare club met Wednesday afternoon in the home of Mrs. Thomas Erwin. Eleven members and three guests were present.

It was decided to give \$15 to the polio fund. Each member contributed something for the program.

February meeting will be held at the home of Mrs. Fritz Rieth.

**Evangelical Free Church** Thursday, Jan. 12, Young People, Adolph Bloom home, annual business meeting, 8 p. m. Sunday, Jan. 15: Sunday school, 10 a. m.; morning worship, 11 a. m.; evening service, 7:45 p. m. Wednesday, Jan. 18: Matweek prayer service.

Mr. and Mrs. Ivan Anderson and Mae and Ruth Pearson were Monday dinner guests in the Winton Wallin home.

New Year's dinner guests in the Reuben Carlson home were Mr. and Mrs. Clarence Dahlquist, Don and Harris, Mr. and Mrs. Harold

Gunnarson and girls, Mr. and Mrs. Marland Dahlquist, Alice Forsberg, Omaha, Mr. and Mrs. Virgil Isardell and family and Alex Brown.

Mr. and Mrs. Glen Magnuson and Verne and Mr. and Mrs. Verdel Erwin and Tommy were in Omaha Tuesday. Stevie Erwin and Gloria Magnuson stayed in the Thomas Erwin home.

Mr. and Mrs. Verne Peterson and girls were Sunday dinner guests in the Arvid Peterson home. Mr. and Mrs. Virgil Pearson and family called in the afternoon.

Friday dinner and luncheon guests in the Bilger Pearson home were: Mr. and Mrs. Oscar Pearson, Mr. and Mrs. LeRoy Johnson and Evodia, Frank Carlson, Annie, Opal and Hazel, Mr. and Mrs. Virgil Pearson and family and Mr. and Mrs. Dale Pearson and family.

Mr. and Mrs. Arvid Peterson called in the Glen Magnuson home Sunday evening.

Dinner guests Monday in the Ernest Swanson home were Mr. and Mrs. Everett Johnson and family, Mr. and Mrs. Emil Swanson and Don Hagberg.

## Churches . . .

**St. Paul's Lutheran Church** (R. Herrmann, pastor) Sunday, Jan. 15: Sunday school, 10 a. m.; divine services, 10:45 a. m.

**Concordia Lutheran Church** (Ernest C. Nelson, pastor) Saturday, Jan. 14: Confirmation class, 10 a. m. Sunday, Jan. 15: Sunday school, 9:45 a. m.; divine worship, 11 a. m.; MCL, 8 p. m.

Visitors in the Dale Pearson home Tuesday afternoon for Lila's fourth birthday were Mrs. Fred Salpion, Mr. and Mrs. Harvey Taylor and family and Mr. and Mrs. Bilger Pearson. Evening visitors were Mr. and Mrs. Pat Erwin and girls and Mr. and Mrs. Virgil Pearson and family.

Guests Wednesday evening in the Arvid Peterson home were Mr. and Mrs. Oscar Johnson, Mr. and Mrs. George Magnuson, Mr. and Mrs. Verne Peterson and girls and Mrs. Otelia Magnuson.

Mary Ann Salpion left Tuesday to visit Capt. and Mrs. Joseph Manto, Ft. Lewis, Md.

Mr. and Mrs. Arthur Carlson and family were dinner and supper guests in the Harold Gunnarson home Friday. The Carlsons are sailing for South America very soon.

Mrs. Curly and family, Ponca, and Mrs. Otelia Magnuson were New Year's dinner guests in the Melvin Magnuson home.

Mr. and Mrs. Clarence Dahlquist and family, Mr. and Mrs. Marland Dahlquist, Mr. and Mrs. Ted Gunnarson and family, Ardyce Falton,

**Leslie**  
By Mrs. George Buskirk  
Phone Atlas 7-2323

**Farmers Union.** Leslie Farmers Union will meet Feb. 6 at the Darrel Puckett home.

**Pleasant Valley Aid** Pleasant Valley Aid met Wednesday with Mrs. Ada Ditts, Wayne. Mrs. Marilyn Leonard will be February hostess.

Mr. and Mrs. Edward W. McQuistan, Mr. and Mrs. George Buskirk and C. W. McGuire were among those attending open house at the Pender hospital Sunday.

Mr. and Mrs. Allen Wittig, Beemer, were with the Darrel Puckett family New Year's Eve.

Mrs. C. W. McGuire returned Tuesday from a visit with her daughter, Mrs. Carol Girardot and family, Lincoln.

Mr. and Mrs. Herman Baker entertained at dinner last Sunday. Mr. and Mrs. George Habrock and family, Emerson, Mr. and Mrs. Lowell Baker and sons, Pender.

Sioux City, and Alex Brown were New Year's Eve dinner guests in the Harold Gunnarson home.

Mr. and Mrs. Verdel Erwin and boys and Mr. and Mrs. Glen Magnuson and family were guests Friday evening in the Thomas Erwin home.

Mr. and Mrs. Clayton Schroeder and family and Mrs. Edna Wacker were Wednesday evening dinner guests in the George Schroeder home.

Mr. and Mrs. Keith Erickson and Mr. and Mrs. Verdel Erwin and family were guests Sunday evening in the Norman Anderson home.

Mr. and Mrs. Curtis Libenood, Missouri Valley, Ia., and Mr. and Mrs. Wilbur Orr, Whiting, Ia., spent the weekend in the Dick Hanson home.

Guests in the Jim Kirchner home Monday evening in honor of Mrs. Kirchner's birthday were Mr. and Mrs. Rudolph Roeder and Mr. and Mrs. Ernest Echtenkamp, Wakefield, Walter Meyer, Wayne, Mr. and Mrs. Willard Holdorf and family, Tilda, Louie and Carl Kirchner, Ed Kirchner and Jo Ann and Leonard Hattig.

Mrs. Esther Hogle and Mrs. Otelia Magnuson spent Tuesday afternoon visiting in the Charles Okbloom home.

Mr. and Mrs. Arvid Peterson visited Mrs. Otelia Magnuson Thursday evening.

Glenn Magnuson, Veldon and Gloria were coffee guests of Mrs. Otelia Magnuson Saturday afternoon.

Mrs. D. A. Paul and Mr. and Mrs. Glenn Paul and Nancy were in Sioux City Thursday.

Mr. and Mrs. Forrest Peters and sons, Homer, Mr. and Mrs. Chester Nylie, Winside, Mr. and Mrs. Russel Rehms and Mrs. Amelia Longe.

Mr. and Mrs. Eval Tarnow and Mr. and Mrs. John Lubbers, Bancroft were guests at a turkey supper at Herman Baker's Wednesday. Mr. and Mrs. Charles McGuire and son and Mr. and Mrs. Lowell Baker and sons were Thursday visitors.

Mr. and Mrs. Dick Utecht spent Tuesday evening at the Mrs. Ed Carlsons, Dixon. Sunday they attended the Karberg-Thornton wedding at Wakefield.

Mr. and Mrs. Gus Laase and Mrs. George Laase, Wisner, were Sunday luncheon visitors at Fred Tarnow's. Mr. and Mrs. Dan Dolph were evening visitors.

**Phone Company Elects New Officers Monday**

ABC telephone company held its annual meeting last Monday evening at the Clark Kai home.

Officers elected were: Joe Wilson, president, and Mrs. Robert Hansen, secretary-treasurer. Mrs. Kai served lunch for the group.

Mr. and Mrs. Ellis Johnson, Mr. and Mrs. Darrel Puckett and family and Mr. and Mrs. Cecil Rhodes and family helped Tommy Bressler remember his birthday Sunday evening in the Thomas Erwin home.

Mr. and Mrs. Joe Wilson were Sunday luncheon guests at Leonard Pollard's.

Mr. and Mrs. Fred Thomas, Norfolk, were Tuesday supper guests at Clark Kai's. Mrs. Kai was honored for her birthday Thursday by her parents at Bancroft.

Mr. and Mrs. Adolph Modlan and family, Allen, were Thursday supper guests at the Darrel Thomsen home.

Friday Mr. and Mrs. Charles McGuire entertained at supper for Mr. and Mrs. Wendell Korth and sons, Mr. and Mrs. Freddie Puls and Mr. and Mrs. Darrel Thomsen and families.

Mrs. August Kai and Judy and Mr. and Mrs. Donny Kai and family, Waterloo, were Sunday visitors at Ted Kai's.

Mr. and Mrs. Henry Korth were Wednesday dinner guests at Walter Burhoop's, Bancroft.

Mr. and Mrs. Harry Hinnerichs, Portola, Calif., and Mr. and Mrs. Elwood Sampson and Janice visited in Gavins Point dam Sunday afternoon and were evening guests at Glen Sampson's.

Mrs. Curly and family, Ponca, and Mrs. Otelia Magnuson were New Year's dinner guests in the Melvin Magnuson home.

Mr. and Mrs. Clarence Dahlquist and family, Mr. and Mrs. Marland Dahlquist, Mr. and Mrs. Ted Gunnarson and family, Ardyce Falton,

tenant house. Mr. Lunn is employed by Lloyd Hugelmann.

Mr. and Mrs. Herman Baker and Mrs. Amelia Longe were Sunday supper guests at the Louis Test home.

Mr. and Mrs. Ed Krusemark and family and Mr. and Mrs. William J. Krusemark and family attended the fifteenth wedding anniversary of Mr. and Mrs. Ervin Frey Tuesday evening. Wednesday they helped Willis Krusemark celebrate his birthday.

**Former Teacher Dies; Omaha Services Held**

Mr. O. Cunningham, a former teacher in District 73, died at Omaha where he was a federal judge. Funeral services were held last Tuesday in Omaha with burial at Wayne.

Mr. and Mrs. Will Korth, Mr. and Mrs. Benlon Nicholson and Mr. and Mrs. Erick Albers attended birthday festivities for Mr. and Mrs. Lester Korth Sunday evening.

Mary Ann Korth and Eleanor Mae Brudigan were sponsors Sunday at the baptism of Loren Douglas Hammer at Redeemer's church, Wayne. Dinner guests at the Arnold Hamner home honoring the occasion were those named and Mr. and Mrs. Will Korth, Mr. and Mrs. Ferdinand Hammer, Dick Wert and Mrs. Linda Brudigan.

Relatives of Dorothy Thomsen attended a shower in her honor Sunday afternoon at Emerson.

Mr. and Mrs. Ardell Mueller spent Monday evening with Billy Hansen's.

Mr. and Mrs. Paul Henschke, Mr. and Mrs. Clarence Kubic and Mr. and Mrs. Ray Hammer at-

**NORTHEAST Wayne**  
By Staff Correspondent

Mr. and Mrs. Roy Pierson spent last Wednesday evening in the Dan Martin home.

Mr. and Mrs. Hobart Auken were Sunday evening supper guests in the Roy Pierson home.

Mr. and Mrs. Paul Lesman were last Monday afternoon guests in the James Hank home. Friday evening they called in the Dale Lesman home.

Thursday evening guests in the August Dotman home were Mr. and Mrs. William Roberts and Rex, Norfolk, Mr. and Mrs. Dan Helthold and Mr. and Mrs. Adolph Dorman.

Mr. and Mrs. John Lutt, Henry, Herman and Emil Lutt were Friday evening supper guests in the Russell Lutt home.

Mr. and Mrs. Wayne Stammer were last Sunday evening guests in the William Penlerick home. Monday they were in the James Leonard home, Emerson.

Mr. and Mrs. George Frederick were last Tuesday dinner guests in the Ernest Brammer home. Mrs. George Roeder and Willis were

tended a farewell supper at LeRoy Hamner's Friday for Lyle Hamner who left for service Monday. Henshokes also spent Sunday evening there.

Mr. and Mrs. Ervin Bottger and Edith were Sunday evening visitors at the Gilbert Rauss home.

A group of visitors helped Duane Dolph celebrate his birthday Wednesday evening.

afternoon guests. Mr. and Mrs. Ted Lesman were last Wednesday evening guests.

Friday evening guests in the Paul Fischer home were Mr. and Mrs. Elmer Boedkenhauer.

Last Tuesday guests in the Harold Fischer home, Wakefield, were Mr. and Mrs. Paul Fischer.

Mr. and Mrs. Ted Lesman, Flagstaff, Ariz., are visiting in the George Brammer home for a few weeks.

Mr. and Mrs. Emil Roeder were last Sunday evening supper guests in the Lawrence Ruwe home.

Mr. and Mrs. Herman Geewe and Mrs. Alvina Brudigan were last Wednesday evening guests in the Frank Brudigan home for Randy's birthday.

Mr. and Mrs. Herman Geewe were among guests in the Harvey Tevessman home, Hoskins, last Sunday evening.

Mr. and Mrs. Lou Geewe were Thursday evening callers in the Herman Geewe home. Friday evening callers were Mr. and Mrs. Elmer Martinson and sons.

Delmer Lutt was a last Tuesday overnight guest in the Glenn Granquist home. Last Wednesday evening callers were Mr. and Mrs. Paul Si-vers and family. Norma Lutt was a Thursday overnight guest.

**The HERALD**  
Phone 130  
Number 130  
IS

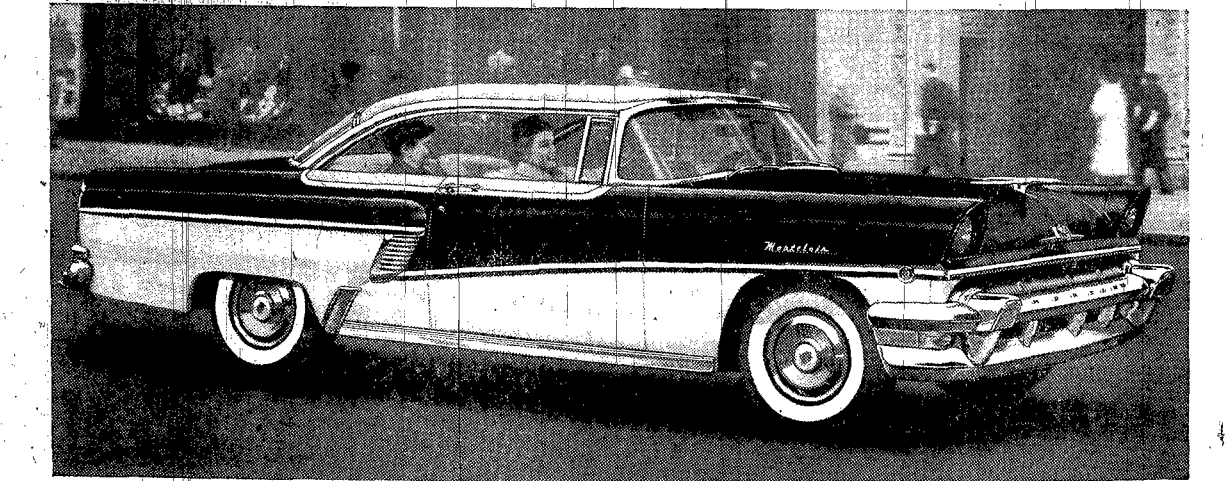
**UNITED IN COAST-TO-COAST SERVICE**

Membership in the ASSOCIATED FUNERAL DIRECTORS SERVICE qualifies us to take immediate charge when death occurs at a distant point. Every duty is performed by competent, professional members of the Association. Reasonable fees, established by agreement between members result in a saving to the families we serve.

**Beckenhauer Service**  
Wayne • Laurel  
Phone 292 Wayne

ONE 5-MILE DRIVE WILL PROVE IT

# Your driving is easier — you feel safer — in THE BIG M



The stunning Mercury Montclair 2-door hardtop with distinctive low profile and Flo-Tone color styling.

Easier riding and handling on sharp turns — new comfort on bumpy roads — widest choice of safety features in its field help explain why THE BIG M is the big buy for 1956.

Riding is so much better than reading. That's why we invite you to take a demonstration drive in our BIG M.

Then you'll feel the BIG M's reflex action firsthand — new ball-joint front suspension adjusts itself instantly to rough roads, ruts, and curves.

And you'll experience the reflex-action response of THE BIG M's new SAFETY-SURGE V-8 engine — how it takes the tension out of passing, makes hill-climbing as effortless as breathing.

You'll discover the new peace of mind provided by THE BIG M's new Safety-First Design. For this year Mercury offers 10 new safety features, including the only impact-absorbing steering wheel in its field.

So see us for a test ride. Compare our prices and you'll find that THE BIG M is as easy to own as it is to drive.

- BIG 4 OF THE BIG M**
- NEW REFLEX-ACTION PERFORMANCE.** THE BIG M responds to your every command—go, stop, climb, pass—quick as an athlete's reflex. On all roads and curves, Mercury adjusts instantly, automatically, for your ease and comfort.
  - BIG M BEAUTY.** New long, low profile. Distinctive Flo-Tone color styling. Clean-lined beauty for young-minded people.
  - NEW SAFETY-FIRST DESIGN.** Widest choice of safety features; impact-absorbing steering wheel, safety door locks at no extra cost; padded instrument panel, safety belts, optional.
  - PROVABLE VALUE.** Low price when you buy—low cost while you drive. For 4 years best resale value in its field. Many dividend features for greater performance and convenience.

For 1956 — the big move is to THE BIG MERCURY

Don't miss the big television hit, "THE ED SULLIVAN SHOW," Sunday evening, 7:00 to 8:00. Station KVTY, channel 9.

# SEYLER MOTORS

Wayne, Nebraska Telephone 303

**McDONALD'S** dollar-smashing

**JANUARY**

**Blankets**

SAVE on Fine, First Quality Blankets

Stock Up Now — Always Useful  
Large Size, Rayon and Nylon Contents, Satin Bound Assorted Colors

Reg. 5.95 **5.44** Reg. 12.95 **9.44**

**CLEARANCE OF FALL AND WINTER DRESSES**

Come Early for Best Selection! Greatly Reduced!!!

**\$3 \$5 \$7**

**Coats**

WOMEN'S — SUB-TEENS' CHILDREN'S — TOTS' COATS ALL REDUCED

to clear our stocks. We had some very lovely coats that you can't afford to pass up, come in and select yours now and see how you save . . .

**\$8 \$10 \$20 \$25**

Regular 5.95 **Tablecloths \$3**  
52 x 70 — Vat Dyed

Regular 98c **Pietalene 3 yds. \$1**  
Yard Goods — Limited Amount

Broken Sizes — Odd Lots **Men's Shoes \$5**  
Values to 9.95

Men's Regular Values to 39.95

# Topcoats \$20 \$30

Here's Real Savings for You!

**PRICED TO CLEAR**